



# US Spars 2018 Parts Catalogue



# Table of Contents

<b>General Information</b>	---- 3-5	Z401	---- 37
About Us	---- 3	Z501	---- 38
Mast Sections	---- 4	Z531	---- 39
Boom, Spreader & Beam Sections	---- 5	Z602	---- 40
		Z702	---- 41
		Z902	---- 42
<b>Parts</b>	---- 6-25	Z1001	---- 43
Mast Heads	---- 6-7	Z1250	---- 44
7/8 Masthead	---- 6	Furling Mainsails	
Tapered Masthead	---- 6	Information about Furling Main	---- 45-46
Standard Masthead	---- 7	Z300E	---- 47
Sheave Boxes	---- 8	Z400E	---- 48
Combi Triple Sheave Boxes	---- 9	Z500E	---- 49
Spreader Bars & Hardware	---- 10	Z602E	---- 50
Spreader Tips	---- 11	Z702E	---- 51
Halyard Exit, Cover Plates & Sail Entry	---- 12	Z902E	---- 52
		Z1100E	---- 53
		Z1250E	---- 54
Gooseneck/ Vang Brackets	---- 13	<b>Boom Diagrams</b>	---- 38-
Gooseneck/ Vang Toggles	---- 14	Z162-Z362	---- 55
Gooseneck Assemblies	---- 15-16	Z482-Z692	---- 56
Vang Bracket Assemblies	---- 16	<b>Additional Tips and Link</b>	---- 57
Cleat	---- 17		
Shackles	---- 18		
Sheaves	---- 19		
Batten System Cars	---- 20		
Boom Cars & Car Bodies	---- 21		
Mast & Boom Tracks	---- 22		
Mast & Boom Blocks	---- 23-24		
Mast Steps	---- 25		
Rigid Vangs	---- 26		
Spinnaker/Whisker Pole Kits	---- 27		
Spinnaker/Whisker Pole Ends	---- 28		
Spinnaker/Whisker Pole Track Kits	---- 29		
Spinnaker/Whisker Pole Setup	---- 30		
<b>Mast Diagrams</b>	---- 31-54		
Classic			
Z145	---- 31		
Z170	---- 32		
Z190	---- 33		
Z230	---- 34		
Z265	---- 35		
Z351	---- 36		

# About Us



When US Spars was created in 1998 its primary purpose was to supply the sailing industry with the very best product and service available. Now in 2018 our philosophy has not changed, we still supply the best product and offer customer service second to none. Along the 20 year Journey we have built outstanding partnerships with the world's largest boat builders, to include Beneteau, Jeanneau, Seaward, Com-Pac, and Island Packet. We very much look forward to helping all the end user customers that all our OEM builders supply. Our spars can be purchased through a dealer or directly with our production facility in Florida.



We would like to thank all of our customers for their valued support and look forward to working with new and old customers in the near future.



**PRIVILEGE YACHT**

## Mast & Boom Sales

Michael Wukotich  
[Info@usspars.com](mailto:Info@usspars.com)

## Parts

Brandon Caton  
[Sales@usspars.com](mailto:Sales@usspars.com)

## Rigging & Tech.

Matthias Klemm  
[Rigging@usspars.com](mailto:Rigging@usspars.com)

## Address:

US Spars Inc.  
6320 NW 123rd Pl.  
Gainesville, FL 32653

## Phone:

386-462-3760

## Fax:

386-462-3448

## Website:

[www.usspars.com](http://www.usspars.com)

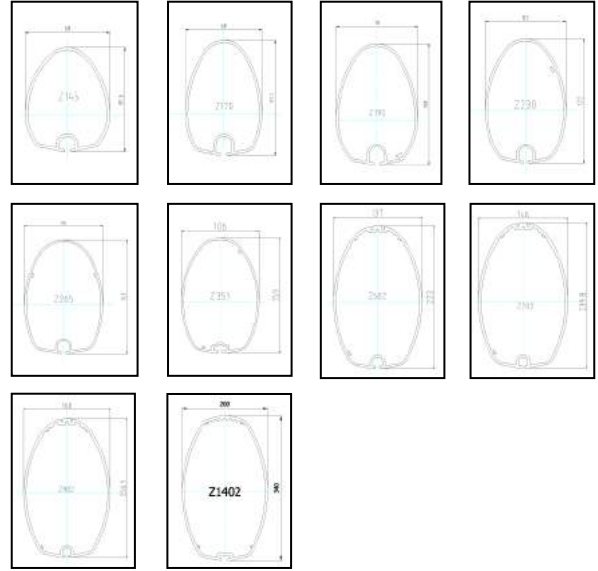
## Check us out on

**facebook**

# Current Mast Sections

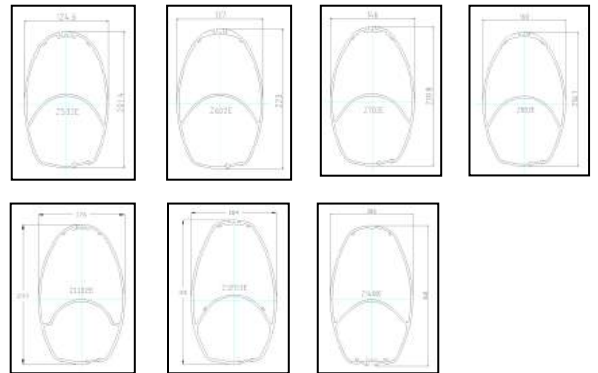
## Classic Sections

Sections	Dimensions (mm)		Inertias (Cm4)		Weight (Kg)
Z145	81	68	45	29	1.45
Z170	98	68	65	33	1.64
Z190	108	78	94	50	1.92
Z230	122	82	143	69	2.29
Z265	143	96	238	118	2.72
Z351	160	105	391	173	3.44
Z531	201	124	1000	380	5.31
Z602	223	138	1411	518	6.21
Z702	240	146	1951	726	7.50
Z902	257	160	2641	1022	8.96
Z1253	310	182	4994	1838	11.76
Z1402	340	200	7100	2625	13.95



## Furling Sections

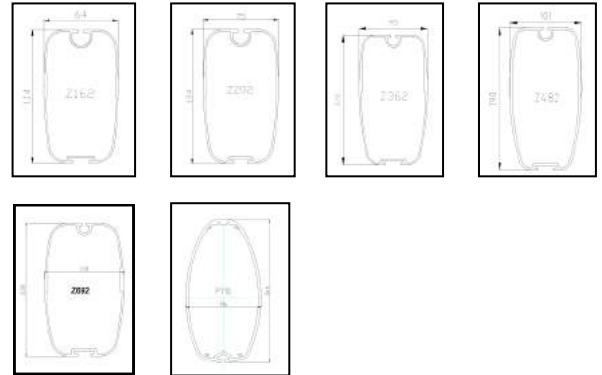
Sections	Dimensions (mm)		Inertias (Cm4)		Weight (Kg)
Z532E	201	125	887	409	5,95
Z602E	223	138	1286	544	6,85
Z702E	240	145	1624	731	7,88
Z902E	257	160	2301	1032	9,54
Z1100E	293	176	3550	1526	11,48
Z1253E	310	180	4688	1857	13,18
Z1400E	340	200	6125	2613	14,77



# Boom & Spreader Sections

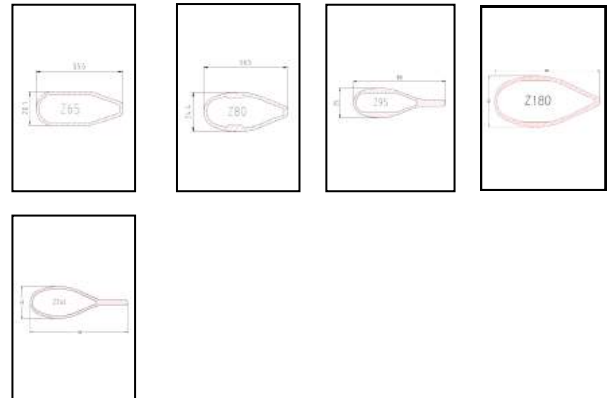
## Boom Sections

Sections	Dimensions (mm)		Inerties (Cm4)		Weight (Kg)
Z162	114	64	97	37	1.62
Z202	134	75	201	72	2.26
Z362	170	95	445	166	3.40
Z482	190	101	844	323	5.21
Z692	230	138	1630	670	6.90
P710	246	134	2311	710	8.30
Z792	250	139	2565	954	8.12



## Spreader Sections

Profils	Dimensions (mm)		Weight (Kg)
Z der	44	9	0.40
Z60	55	20	0.50
Z65	56	21	0.50
Z80	56	25	0.80
Z95	80	25	1.25
Z180	93	40	1.80
Z240	130	40	2.40
Z341	155	49	3.60
Z541	180	60	5.40



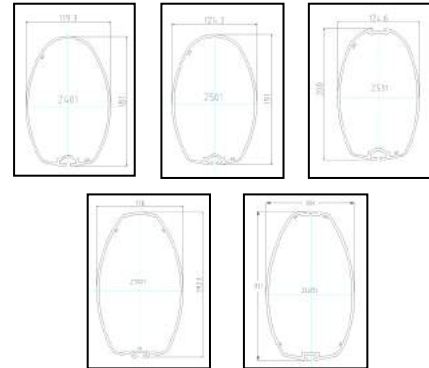
## Beam Sections

Sections	Dimensions (mm)		Inertias		Weight (Kg)
Z840	240	140	1229	620	8.70
Z1370	270	155	2427	1146	13.95

# Discontinued Mast & Boom Sections

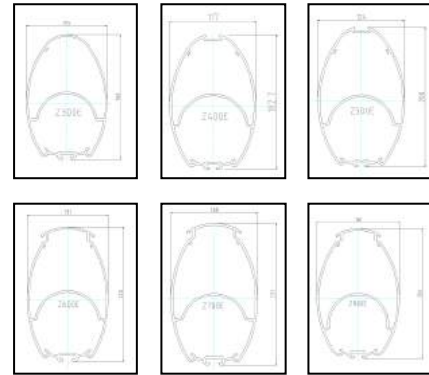
## Classic Sections

Sections	Dimensions (mm)		Inertias (Cm4)		Weight (Kg)
Z301	160	105	343	149	3.02
Z401	179	119	601	260	4.10
Z501	189	125	760	326	4.60
Z531	201	124	1000	380	5.31
Z1001	290	175	3677	1452	9.80



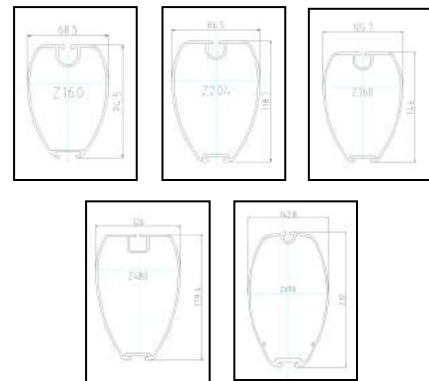
## Furling Sections

Sections	Dimensions (mm)		Inertias (Cm4)		Weight (Kg)
Z300E	160	105	400	162	3,50
Z400E	183	117	585	280	4,90
Z500E	200	124	808	378	5,77
Z600E	220	131	1200	500	6,75
Z700E	231	137	1505	630	7,50
Z900E	255	160	2240	1014	9,72



## Boom Sections

Sections	Dimensions (mm)		Inertias (Cm4)		Weight (Kg)
Z160	94	68	64	30	1.56
Z204	118	86	153	73	2.28
Z360	145	105	332	156	3.29
Z480	180	125	730	324	4.82
Z690	232	142	1661	463	6.24



# 7/8 & Tapered Mastheads



#1013  
Z145 Masthead 7/8



#1011  
Z170 Masthead 7/8



#1012  
Z190 Masthead 7/8



#1014  
Z230 Masthead 7/8



#1015  
Z265 Masthead 7/8



#1004  
Z300E Masthead 7/8



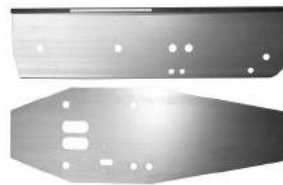
#1008  
Z351 Masthead 7/8



#4712  
Z401-Z531 Masthead 7/8  
Z400E-Z532E



#4710  
Z602-Z702 Masthead 7/8  
Z602E-Z702E



#4716  
Z902-Z1001 Masthead 7/8  
Z902E-Z1100E



#1002  
Z145 & Z230 Masthead  
Tapered



#1010  
Z170 -Z190 Masthead  
Tapered



#1017  
Z265 Masthead  
Tapered



#1028  
Z351-ZZ531 Masthead  
Tapered



#1023  
Z602 Masthead  
Tapered

# Standard Mastheads



#1001A

Z170-Z230 Masthead



#1003

Z300E Masthead



#1007

Z265-Z351 Masthead



#4711

Z401-Z531 Masthead  
Z400E-Z532E



#4709

Z602-Z702 Masthead  
Z602E-Z702E



#4715

Z902-Z1001 Masthead  
Z902E-Z1100E



## Delrin Sheave Boxes



**#1768**  
Sheave Box Small  
Small  
28mm



**#1769**  
Sheave Box  
Medium  
45mm



**#1458**  
Sheave Box  
Large  
60mm



**#3032**  
Sheave Box  
Small  
Assembly  
45mm



**#3034**  
Sheave Box  
Medium  
Assembly  
45mm



**#3033**  
Sheave Box  
Large  
Assembly  
60mm

## Cast Sheave Boxes



**#1058**  
Sheave Box  
Medium  
60mm



**#1060**  
Sheave Box  
Large  
80mm



**#4085**  
Sheave Box  
X-Large  
110mm



**#3036**  
Sheave Box  
Medium  
Assembly  
60mm



**#3028**  
Sheave Box  
Large  
Assembly  
80mm



**#3890**  
Sheave Box  
X-Large  
Assembly  
110mm

# Combi Triple Sheave Boxes



#1051  
Combi Triple Small



#4024  
Combi Box Medium



#1053  
Combi Triple Medium 4-600



#1055  
Combi Triple F297



#3283  
Combi Triple Small  
Assembly



#3754  
Combi Box  
Medium Assembly

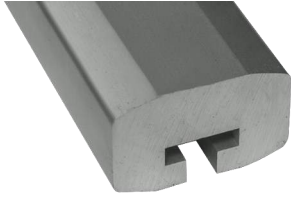


#3809  
Combi Triple Medium  
4-600  
Assembly

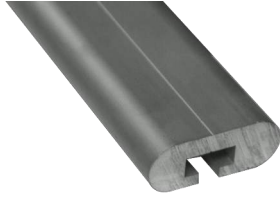


#3334  
Triple Combi F297  
Assembly

# Spreader Bars & Mounting Hardware



Z180 / Z240



Z65 / Z80 / Z95

## Z180 / Z240

- 0° — #5040
- 10° — #5041
- 15° — #5042
- 20° — #5043
- 25° — #5044
- 30° — #5081

## Z65 / Z80 / Z95

- 0° — #5095
- 5° — #5088
- 10° — #5089
- 15° — #5090
- 20° — #5091
- 25° — #5093
- 30° — #5092



Z180 / Z240

#12557



Z65 / Z80 / Z95

#12558

# Spreader Plates



#5096

Z65 / Z80 / Z95  
Mast - Z265  
0° - 15°



#5085

Z65 / Z80 / Z95  
Mast - Z265  
20° - 30°



#5097

Z65 / Z80 / Z95  
Mast - Z401—Z501  
0° - 15°



#5086

Z65 / Z80 / Z95  
Mast - Z401—Z501  
20° - 30°



#5312

Z180 / Z240  
Mast - Z502  
20°



#5098

Z65 / Z80 / Z95  
Mast - Z531  
0° - 15°



#5106

Z65 / Z80 / Z95  
Mast - Z531  
25°



#5087

Z65 / Z80 / Z95  
Mast - Z531  
20° - 30°



#4911

Z180 / Z240  
Mast - Z602 - Z902  
0° - 15°



#5244

Z180 / Z240  
Mast - Z601 - Z901  
20°



#4912

Z180 / Z240  
Mast - Z602 - Z902  
20° - 30°



#4950

Z180 / Z240  
Mast - Z1001  
0° - 15°



#4914

Z180 / Z240  
Mast - Z1001  
20° - 30°

# Wrap-around Spreader Plates



#4052

Z145



#4118

Z170



#4130

Z190



#4131

Z230

# Continuous Spreader Tips



#1041

Dinghy Spreader Tip



#3112

Z60 Spreader Tip



#3114

Z95 Taper / Z80 / Z65  
Spreader Tip



#3802

Z95 Spreader Tip



#3115

Z240 Tapered / Z180  
Spreader Tip



#3803

Z240 Tapered Spreader Tip

# Discontinuous Spreader Tips



#3527

Z60 6/8  
Spreader Tip



#3022

Z65 / Z80 6/8  
Spreader Tip



#3500

Tapered Z95 / Z80 / Z65  
8/10 Spreader Tip



#3110

Tapered Z95 / Z80 / Z65  
8/12 Spreader Tip



#3804

Z95 8/10  
Spreader Tip



#3805

Z95 8/12  
Spreader Tip



#3438

Tapered Z240 / Z180  
10/12 Spreader Tip



#3111

Tapered Z240 / Z180  
12/16 Spreader Tip



#3806-10/16

Z240 10/16  
Spreader Tip



#3806

Z240 12/16  
Spreader Tip



#3806BR

Z240 B&R 12/16  
Spreader Tip



#3807

Z240 12/19  
Spreader Tip

## Halyard Exits



#1241  
Halyard Exit  
Small SS



#1242  
Halyard Exit  
Large SS



#1630  
Halyard Exit  
Small Delrin



#1692  
Halyard Exit  
Large Delrin

## Cover Plates



#1235  
Access Plate  
Aluminum  
Small



#206  
Access Plate  
Aluminum  
Large

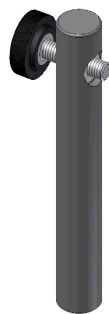
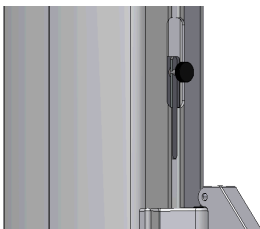


#4397  
Access Plate  
Delrin  
Small

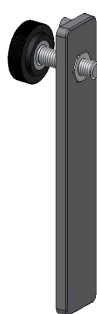


#4398  
Access Plate  
Delrin  
Large

## Sail Entry



#3495  
Sail Stopper  
Z190-Z265 &  
Z602-Z902



#3522  
Sail Stopper  
Z301-Z501



#3520  
Sail Stopper  
Z1001-Z1600



#3085  
Sail Entry

# Gooseneck / Vang Brackets



#4063

Mast - Z145-Z351  
 Boom - Z160/162/  
 202/204



#1062

Mast - Z401-Z601  
 Boom - Z360



#1063

Mast - Z400E-Z600E  
 Boom - Z360E



#4008

Mast - Z600E-Z900E  
 Boom - Z360E/Z480E



#4009

Mast - Z401-Z901/  
 Z532/Z602E-Z902E  
 Boom - Z360E/Z480E



#4330

Mast - Z401-Z901/  
 Z532/Z602E-Z902E  
 Boom - Z362/Z482



#138

Mast - Z900E-Z1100E  
 Boom - Z690



#565

Mast - Z902-Z1250E  
 Boom - Z690



#4980

Mast - Z902/Z903  
 Boom - Z692



#4979

Mast - Z1102  
 Boom - Z692



#1759

Mast - Z1250  
 Boom - Z482

# Gooseneck / Vang Toggles



#561

Small Vang Toggle  
Mast - Z145-Z351



#560

Small Vang Toggle  
Mast - Z145-Z351



#1219

Medium Vang Toggle  
Mast - Z401-Z902



#4938

Medium/Large Vang  
Toggle  
Mast - Z601-Z1100



#1178

Large Vang Toggle  
Mast - Z1001-1253



#1034

Gooseneck Toggle  
Mast - Z145-Z351  
Boom - Z160/204



#1083

Gooseneck Toggle  
Mast - Z401-Z702  
Boom - Z204/Z360



#4010

Gooseneck Toggle  
Mast - Z601-Z1100  
Boom - Z480



#1187

Gooseneck Toggle  
Mast - Z901-Z1250  
Boom - Z690

# Gooseneck Assemblies



#3355

Mast - Z145-Z351  
Boom - Z160/204



#3410

Mast - Z145-Z351  
Boom - Z162/202



#3352

Mast - Z401/402/501/502/531  
Boom - Z204/360



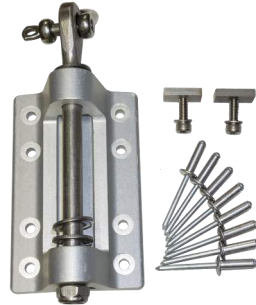
#3349

Mast - Z300E/400E/500E  
Boom - Z204/360



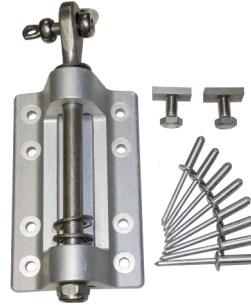
#3351

Mast - Z600E/700E/900E  
Boom - Z360



#3051

Mast - Z401/501/502/531  
Boom - Z362



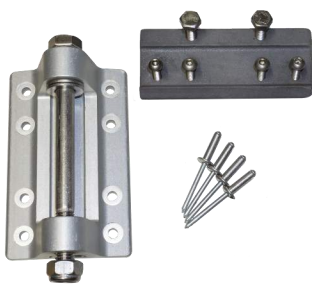
#3010

Mast - Z602/702/902  
Boom - Z362/482



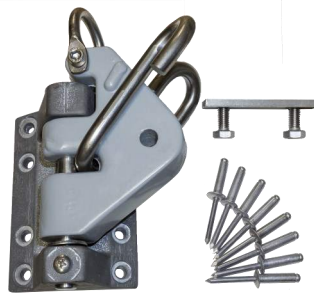
#RHP3010

Mast - Z1100E  
Boom - Z690E



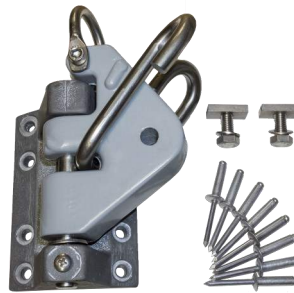
#3791

Mast Peel-out Track- Z532/602/702/902  
Boom - Z362E/482E



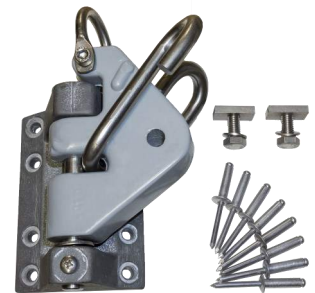
#3782

Mast - Z600E/700E/900E  
Boom - Z480



#3781

Mast - Z601/701  
Boom - Z480

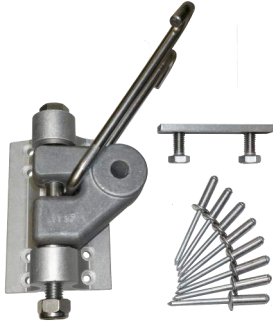


#3793

Mast - Z901/1001  
Boom - Z480

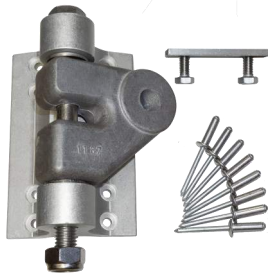


## Gooseneck Assemblies Continued



**#3794**

**Mast - Z901/1001/1400  
Boom - Z690**



**#3357**

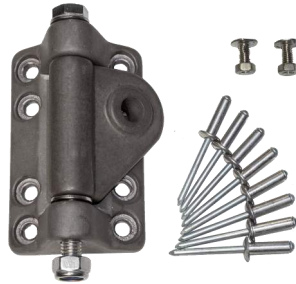
**Mast - Z1100E  
Boom - Z690E**

## Vang Bracket Assemblies



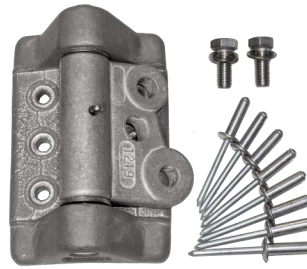
**#3271**

**Mast -  
Z145/170/190/230/262  
Vang - Z331  
Small**



**#3246**

**Mast -  
Z145/170/190/230/262  
Vang - Z551  
Medium**



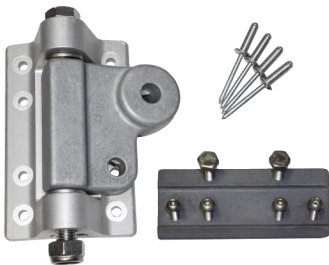
**#3243**

**Mast -  
Z300E/400E/500E  
Vang - Z551  
Medium**



**#3252**

**Mast -  
Z401/501/531/601/701  
Vang - Z551  
Medium**



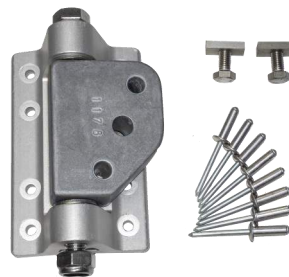
**#3838**

**Mast -  
Z532/602/702/902/903  
Vang - Z551/711  
Medium & Large**



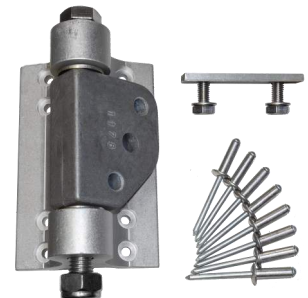
**#3244**

**Mast -  
Z600E/700E/900E  
Vang - Z551  
Medium**



**#3956**

**Mast -  
Z701/702/702E/902  
/902E/1252E  
Vang - Z711 Large**



**#3256**

**Mast -  
Z1001/1100E/1400  
Vang - Z711  
Large**

# Cleats



#1145

120mm Cleat Aluminum



#1081

170mm Cleat Aluminum



#1192

200mm Cleat Aluminum



#4587

120mm Cleat Delrin



#4586

170mm Cleat Delrin



#1662

Clam Cleat for 8 to 12mm Rope



#1126

Clam Cleat Small for < 6mm Rope

# Shackles



#37 & #155

Shackle 3mm x 9mm  
x 27mm



#3210

Shackle 5mm x  
12mm x 25mm



#3209

Shackle 5mm x  
12mm x 30mm



#1558A

Shackle 5mm x  
20mm x 40mm



#3168

Shackle 6mm x  
11mm x 30mm  
(Halyard Shackle)



#3638

Shackle 6mm x  
20mm x 50mm



#3208

Shackle 6mm x  
35mm x 35mm  
(Tack Shackle)



#4797

Shackle 6mm x  
28mm x 45mm



#3635

Shackle 8mm x  
16mm x 35mm



#4930

Shackle 8mm x  
15mm x 35mm



#394

Snap Shackle  
SS 70mm



#395

Snap Shackle  
SS 90mm

# Sheaves



**Delrin Sheaves**

<u>Part #</u>	<u>Size D x W x Pin</u>
<u>1614</u>	28 x 9.5 x 6
<u>1616</u>	45 x 13 x 8
<u>1617</u>	35 x 16 x 8
<u>1618</u>	60 x 16 x 8
<u>46</u>	60 x 15 x 17
<u>1707</u>	80 x 17 x 14
<u>1708</u>	70 x 16 x 16
<u>1709</u>	70 x 16 x 10
<u>1636</u>	110 x 18.5 x 14
<u>566</u>	37 x 7 x 10



**Delrin Sheave with Ball Bearings**

<u>Part #</u>	<u>Size D x W x Pin</u>
<u>1619</u>	60 x 16 x 8



**Aluminum Sheaves**

<u>Part #</u>	<u>Size D x W x Pin</u>
<u>1245</u>	50 x 15 x 14
<u>1246</u>	35 x 16 x 8
<u>1248</u>	70 x 16 x 14
<u>1249</u>	80 x 17 x 14
<u>1611</u>	28 x 9.5 x 6
<u>1728</u>	45 x 13 x 8
<u>1767</u>	60 x 16 x 12
<u>6001</u>	60 x 16 x 8
<u>6057</u>	100 x 19 x 16

# Full Batten Cars



#3489R

Headboard Car  
for 25mm Track



#3485

Batten Car  
for 25mm Track



#3482

Intermediate Car  
for 25mm Track



#3472

Headboard Car  
for 32mm Track



#3857

Batten Car  
for 32mm Track



#3454

Intermediate Car  
for 32mm Track

# Full Batten Slides



#3086

Headboard Slide  
for Z602 Z702 Z902



#3080

Batten Slide  
for Z602 Z702 Z902



#3107

Intermediate Slide  
for Z602 Z702 Z902



#3081

Headboard Slide  
for Z1001 / Z1250



#3082

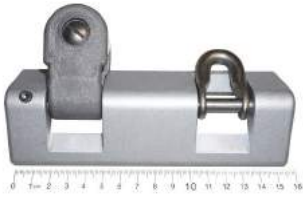
Batten Slide  
for Z1001 / Z1250



#3108

Intermediate Slide  
for Z1001 / Z1250

# Boom Cars



#3074R

**Large Boom Car**  
Z362-Z690  
for 25mm Track



#3849

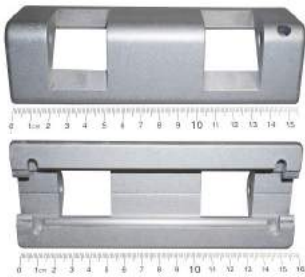
**Medium Boom Car**  
Z362-Z482  
for 25mm Track



#3067

**Small Boom Car**  
Z202-Z362  
for 25mm Track

# Car Bodies



#4646

**Large Car Body**  
for 25mm Track



#4221

**Medium Car Body**  
for 25mm Track



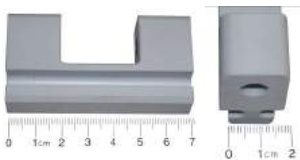
#4221

**Medium Car Body**  
for 25mm Track



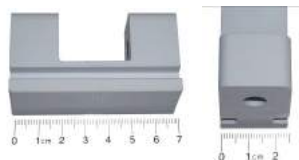
#4728

**Small Car Body**  
for 25mm Track



#1483

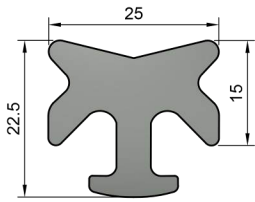
**Slider Body**  
for Z602 Z702 Z902



#1497

**Slider Body**  
for Z1001 / Z1250

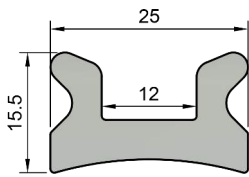
# Boom Tracks



#733

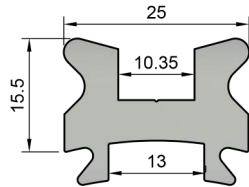
25mm Boom Track

# Spinnaker Tracks



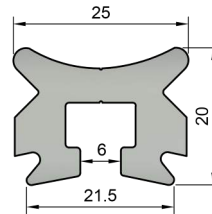
#931

25mm Rivet on Track  
Z401-Z501



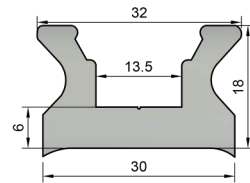
#666

25mm 02 Series Mast  
Spinnaker Track



#731

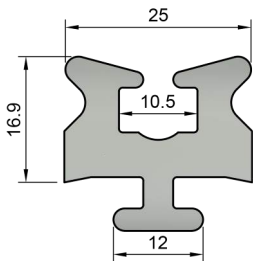
25mm 01 Series Mast  
Spinnaker Track



#943

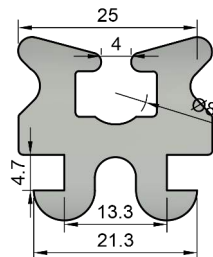
32mm Rivet on Track  
Z901-Z1400

# Batten Tracks



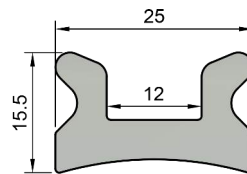
#932

25mm Batten Track  
Z401-Z902



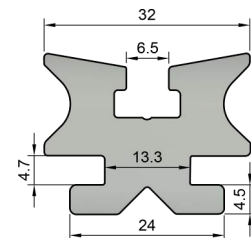
#934

25mm Batten Track  
Z1001



#931

25mm Rivet on Track  
Z301-Z351



#663

32mm Track  
Z1001-Z1600

## 28mm Blocks



#250

**Mast Base Block**



#251

**Hanger Block**



#252

**Cheek Block**



#253

**Becket Block**

## 45mm Blocks



#261

**Mast Base Block**



#264

**Hanger Block**



#266

**Swivel Block**



#269

**Fiddle Jam Block**



#300

**Mast Swivel Base Block**

## 60mm Blocks



#277

**Hanger Block**



#278

**Fiddle Block**



#279

**Swivel Block**



#301

**Mast Swivel Base Block**



#258

**Swivel Becket Block**



#275

**Mast Base Block**



#282

**Fiddle Jam Block**



#1589

**Mast EZP Block**



## 80mm Blocks



#302

Mast Swivel Base Block



#290

Hanger Block



#291

Fiddle Block



#4329

Mast EZP Block

## Cheek Blocks



#3672

45mm Delrin Cheek Block  
Standard Masts



#3673

45mm Delrin Cheek Block  
01' Series Masts



#3674

45mm Alum Cheek Block  
Standard Masts



#3675

45mm Alum Cheek Block  
01' Series Masts

# Mast Steps



#1397

Z145 Mast Step



#1095

Z170 Mast Step



#1096

Z190 Mast Step



#1171

Z190 Mast Step



#1097

Z230 Mast Step



#1098

Z265 Mast Step



#1103

Z301-Z351 Mast Step



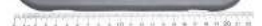
#1118

Z401 Mast Step



#1120

Z501-Z532E Mast Step



#4866

Z602-Z602E Mast Step



#4873

Z702-Z702E Mast Step



#4871

Z902-Z902E Mast Step



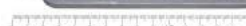
#1100

Mast Base  
Z145-Z190  
Part #1397, #1095, & #1096



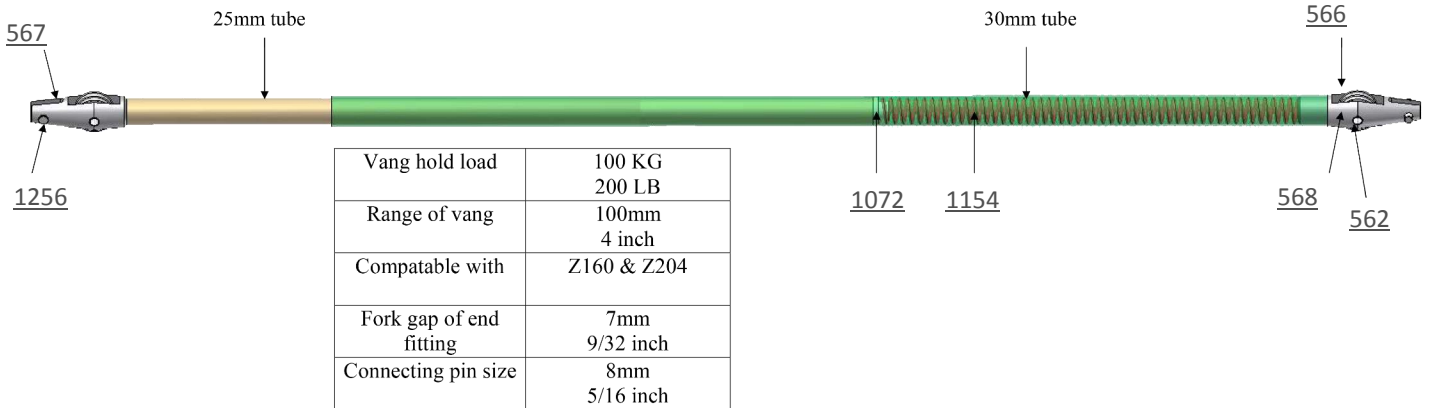
#1101

Mast Base  
Z190-Z265  
Part #1171, #1097, & #1098



# Rigid Vangs

## #1979 Small Vang



## #1978 Medium Vang



## #1977 Large Vang



## Spinnaker/Whisker Poles - Piston to Piston



Tube size	Part #	Weight LB	Wall
Ø 45	7667	8	2
Ø 50	7666	10	2
Ø 57	7665	11	2.1
Ø 70	7663	14	2.5
Ø 80	7664	17	2

## Spinnaker/Whisker Poles - Piston to Cone



Tube size	Piston part	Weight LB	Wall
Ø 80	7664c	17	2
Ø 100	7657c	22	3

To Order Complete Spinnaker/Whisker Poles please contact [Sales@usspars.com](mailto:Sales@usspars.com) for a quote.

Thanks!

# Spinnaker Pole Ends



Tube size	Piston end #
Ø 45	<u>3148</u>
Ø 50	<u>3150</u>
Ø 57	<u>3151</u>
Ø 70	<u>3153</u>
Ø 80	<u>3154</u>
Ø 100	<u>3155</u>



Tube size	Cone part #
Ø 80	<u>3442</u>
Ø 100	<u>3443</u>

**U.S. Spars cone pole ends will only fit our brand of mast slider attachment, if you do not have a U.S. Spars pole car please ask for details of our attachments to fit your slider car.**

# Spinnaker/Whisker Track Kits 25mm

## 01' Series #3586

Item #	Description	Quantity
<u>731</u>	Spi Track 01 Series	4 meters
<u>3675</u>	Aluminum Cheek Block	2
<u>1662</u>	Clam Cleat	2
<u>4588</u>	Track End	2
<u>308</u>	8mm Yellow Rope	15 meters
*2 Car options	Spi Pole Car	1
<u>3077ZF</u>	Spi Pole Car ZSpar Finger	
<u>3008</u>	Spi Pole Car Ring	

## 02' Series #3596

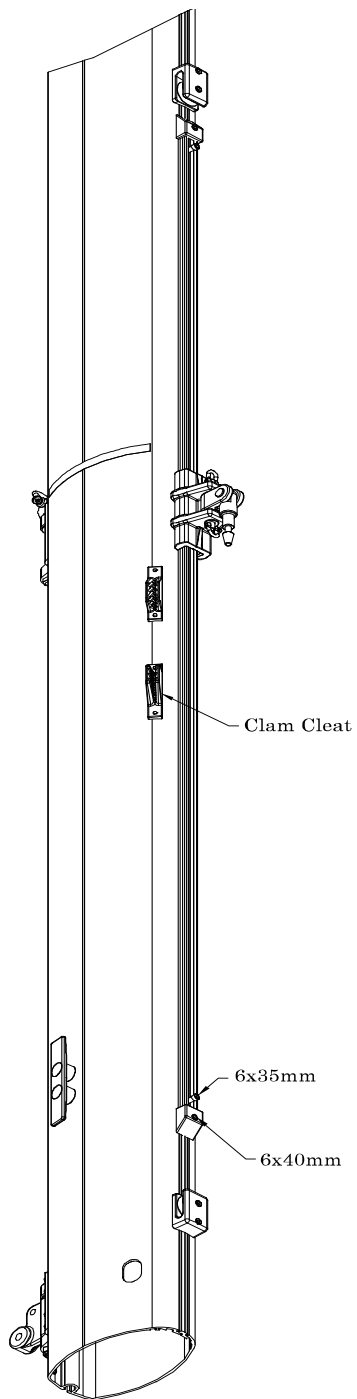
Item #	Description	Quantity
<u>666</u>	Spi Track 02 Series	6 meters
<u>3674</u>	Aluminum Cheek Block	2
<u>1662</u>	Clam Cleat	2
<u>4588</u>	Track End	2
<u>308</u>	8mm Yellow Rope	15 meters
*2 Car Options	Spi Pole Car	1
<u>3077ZF</u>	Spi Pole Car ZSpar Finger	
<u>3008</u>	Spi Pole Car Ring	

## Rivet-On #3576

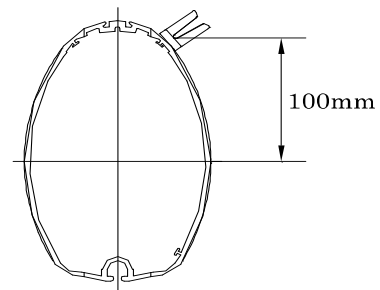
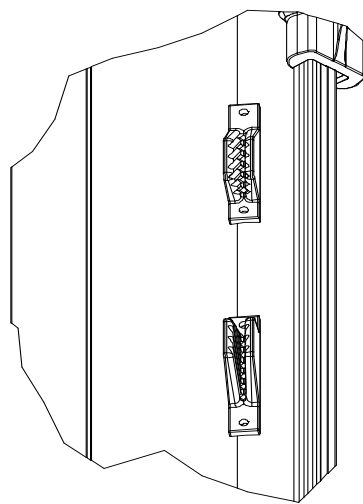
Item #	Description	Quantity
<u>931</u>	Spi Track Rivet-On	6 meters
<u>3674</u>	Aluminum Cheek Block	2
<u>1662</u>	Clam Cleat	2
<u>4588</u>	Track End	2
<u>308</u>	8mm Yellow Rope	15 meters
*2 Car options	Spi Pole Car	1
<u>3077ZF</u>	Spi Pole Car ZSpar Finger	
<u>3008</u>	Spi Pole Car Ring	

\*The Cars are not included in the assemblies

# Spinnaker/Whisker Pole Setup

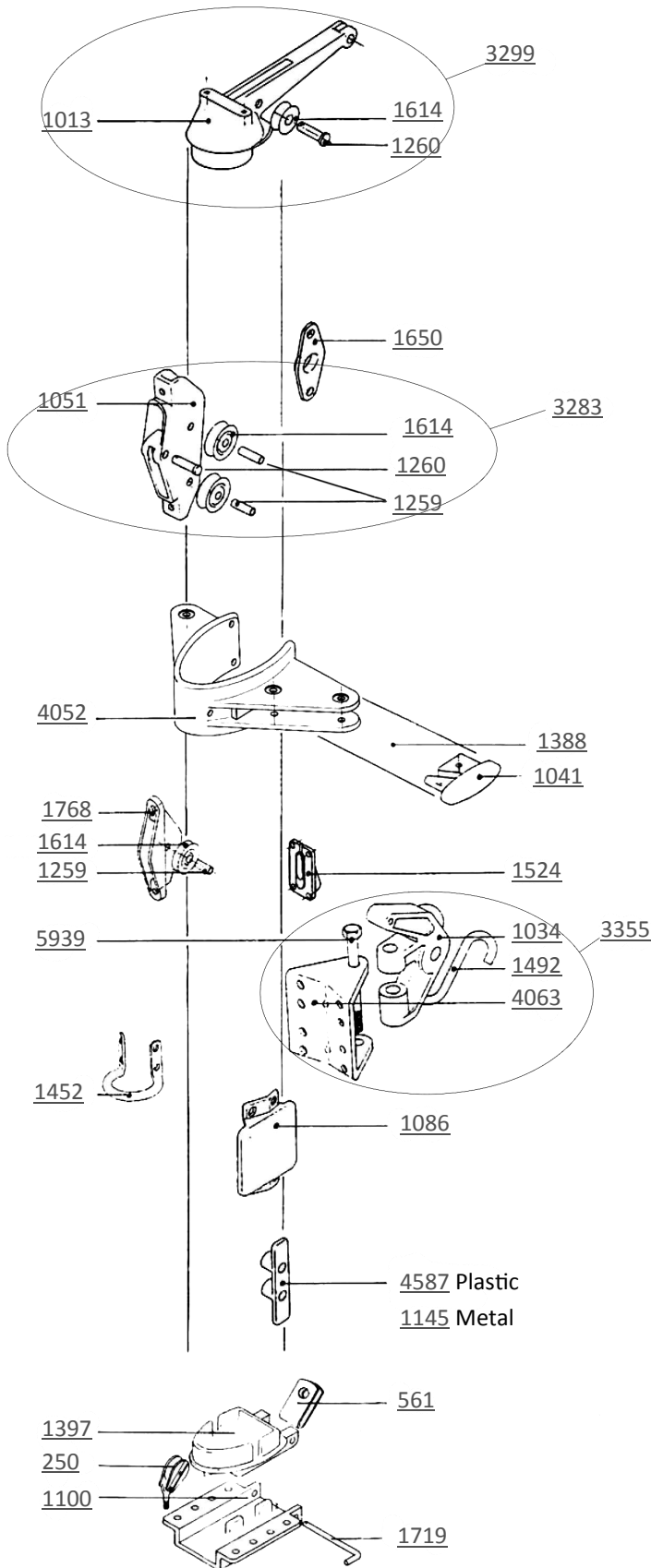


This is a General Setup. This may or may not be the layout for your mast.

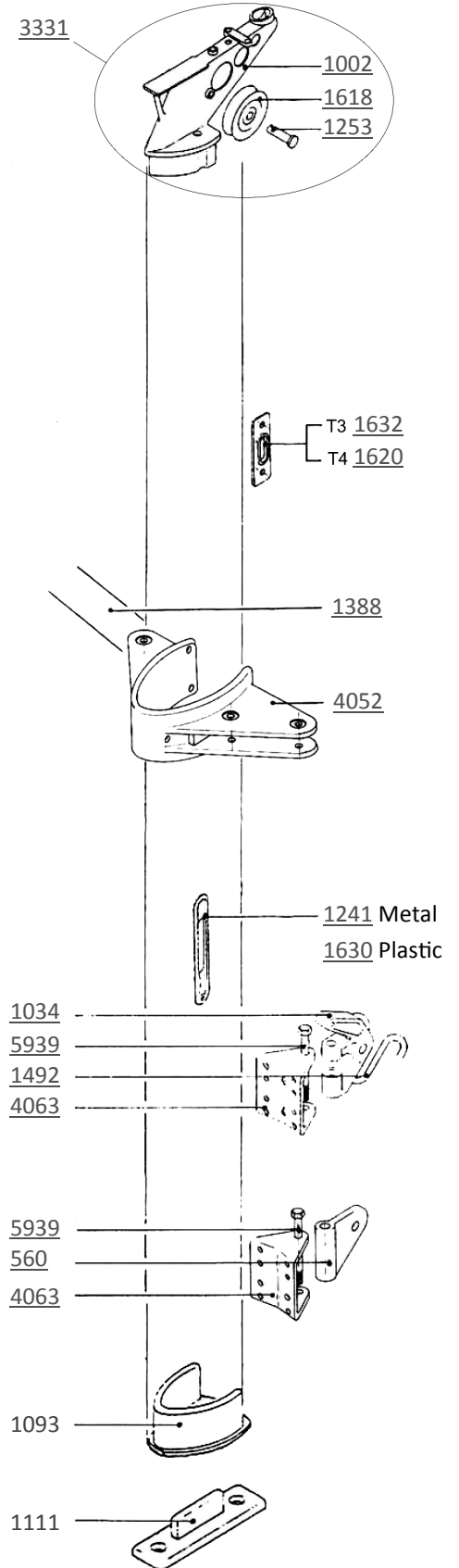


# MASTS

## Z 145 TAPER



## Z 145





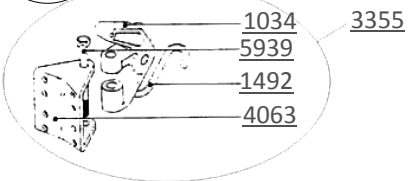
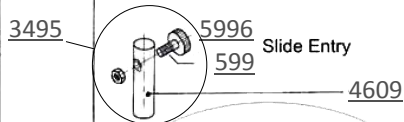
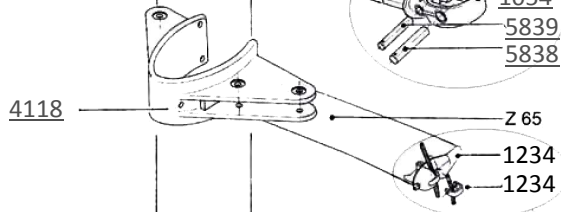
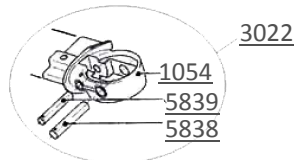
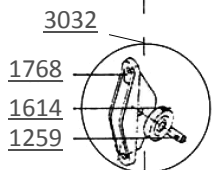
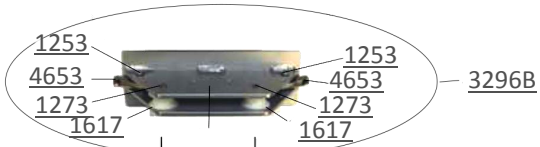
Z 170

MASTS

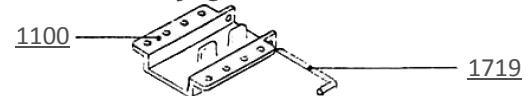
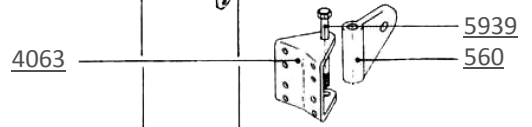
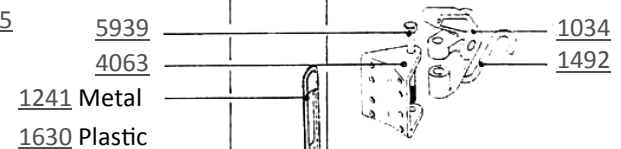
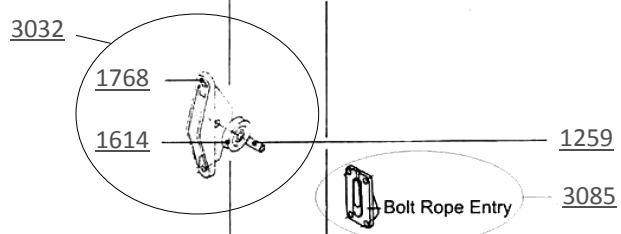
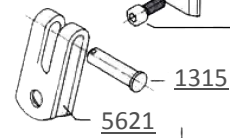
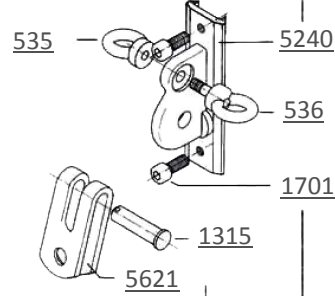
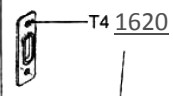
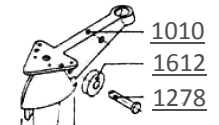
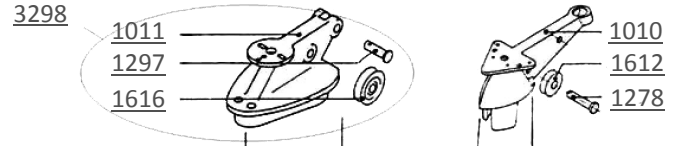
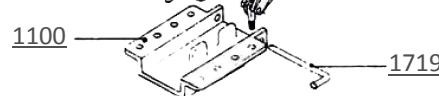
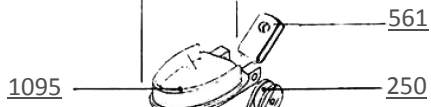
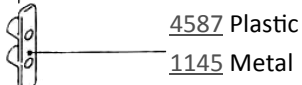
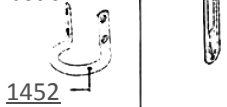
Z 170 7/8

Z 170 Taper

NEW MASTHEAD FOR Z170, Z190, Z230

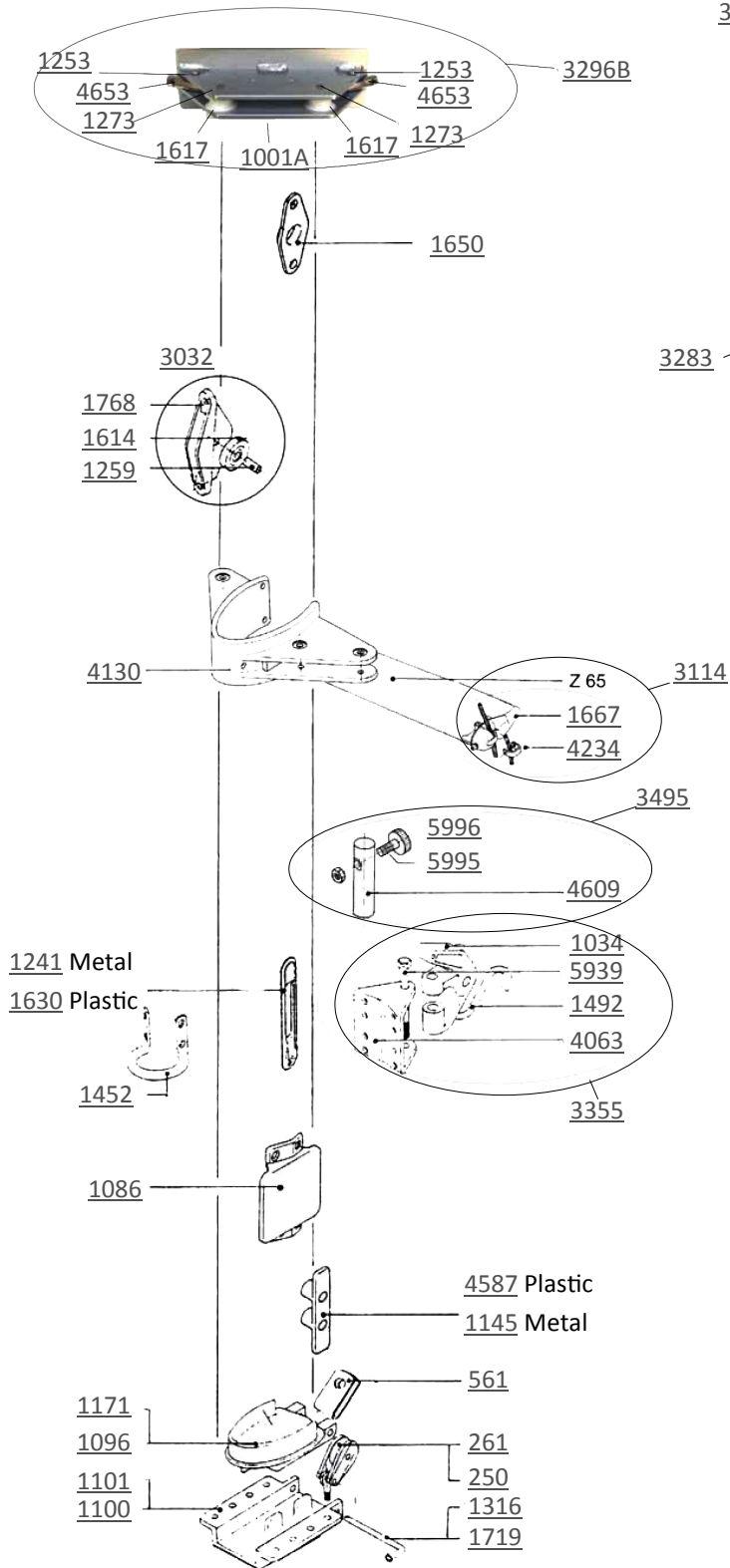


1241 Metal  
1630 Plastic



Z 190

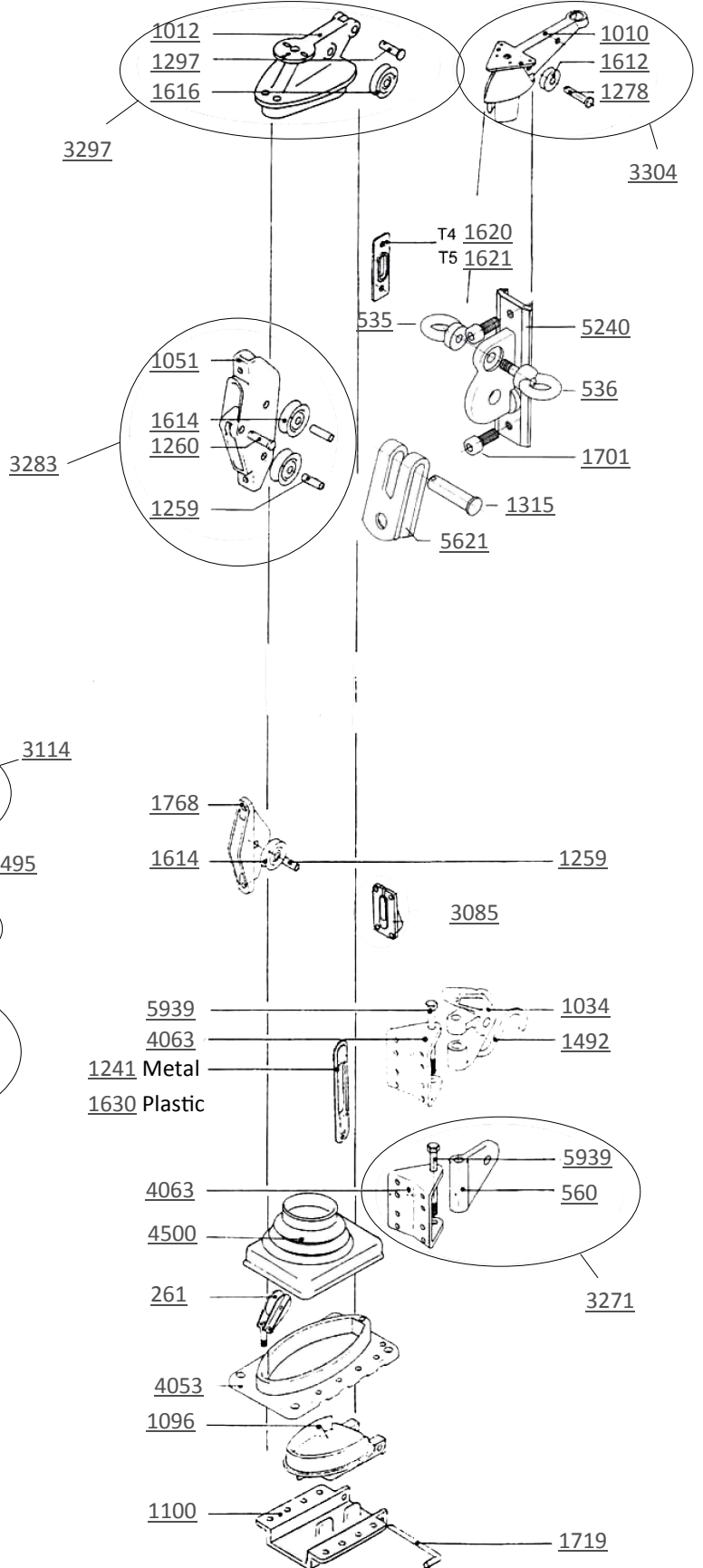
NEW MASTHEAD FOR Z170, Z190 & Z230



MASTS

Z 190 7/8

Z 190 Taper

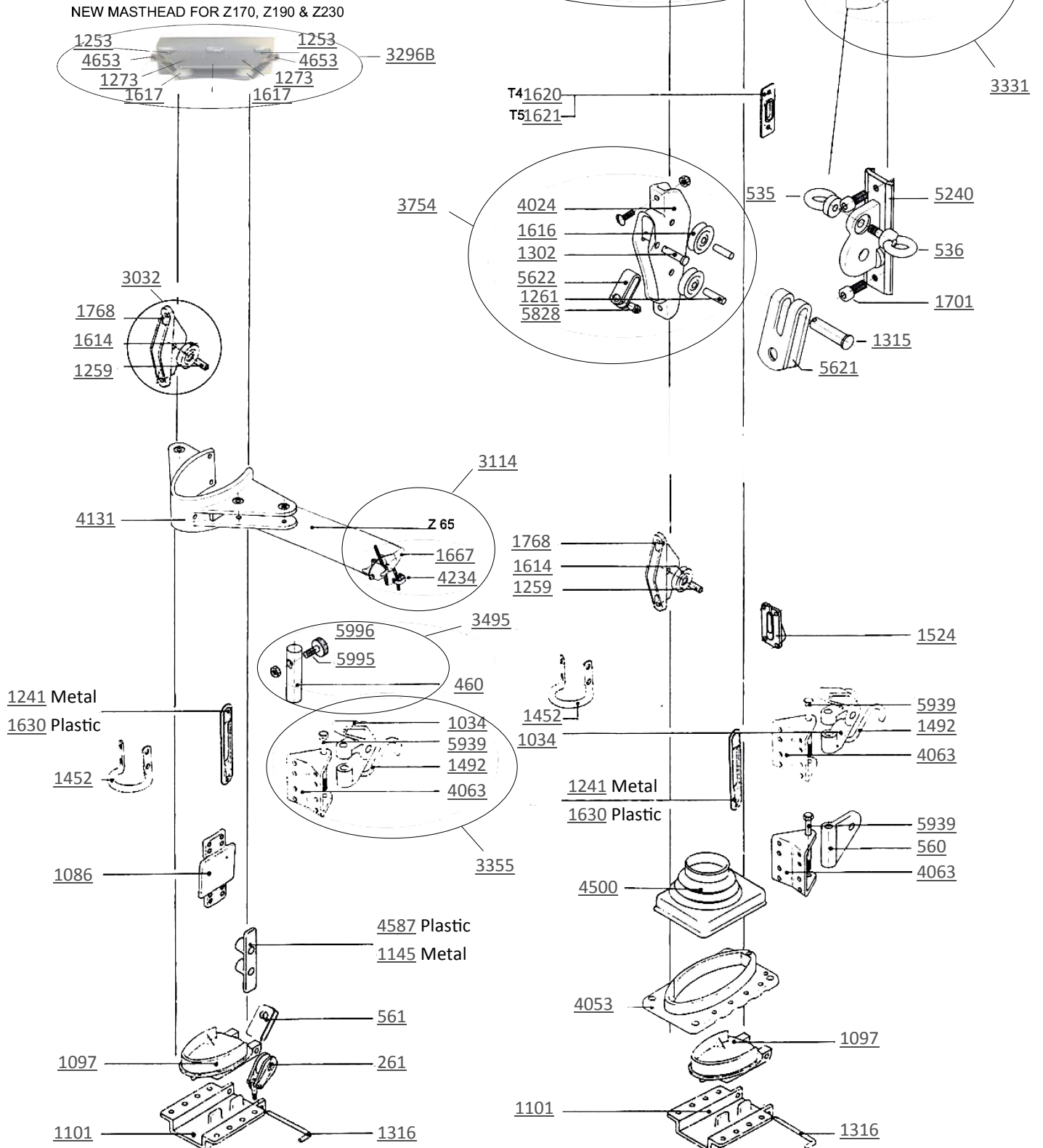


Z 230

MASTS

Z 230 7/8

Z 230 Taper

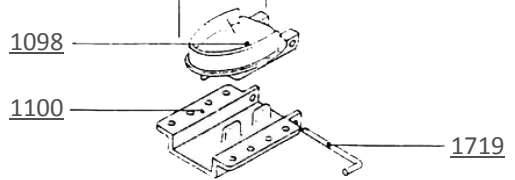
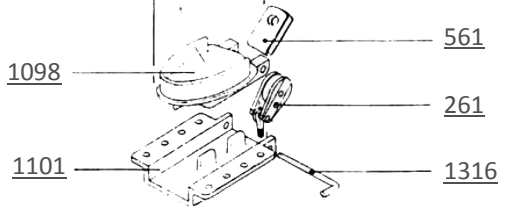
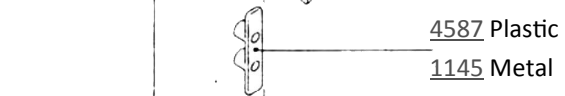
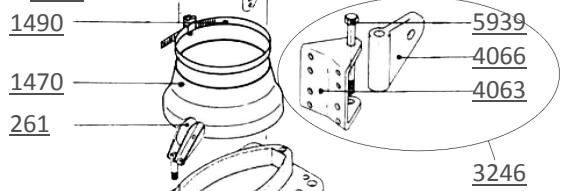
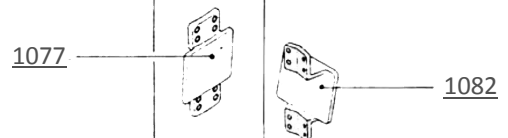
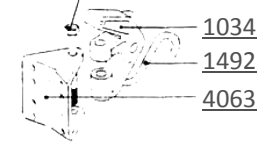
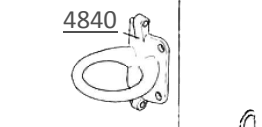
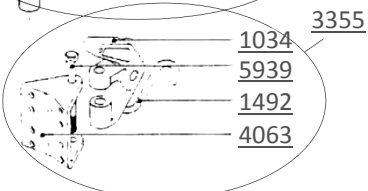
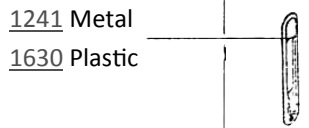
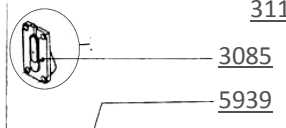
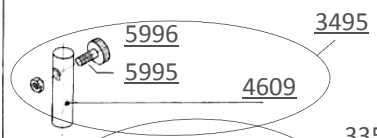
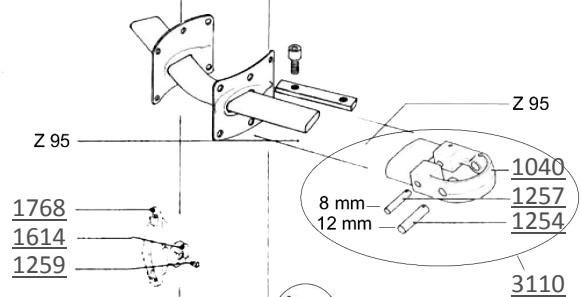
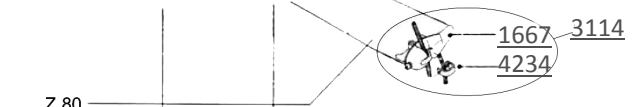
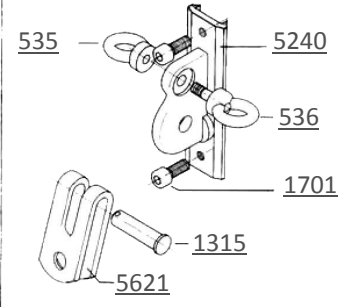
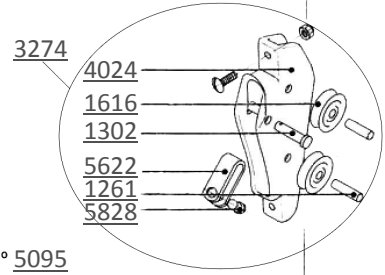
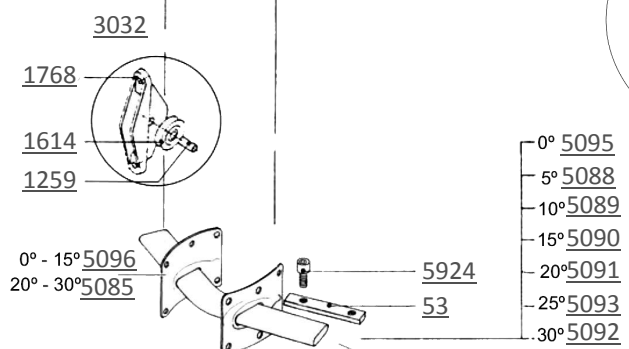
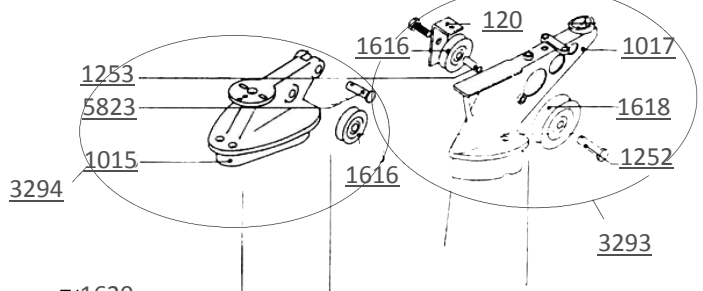
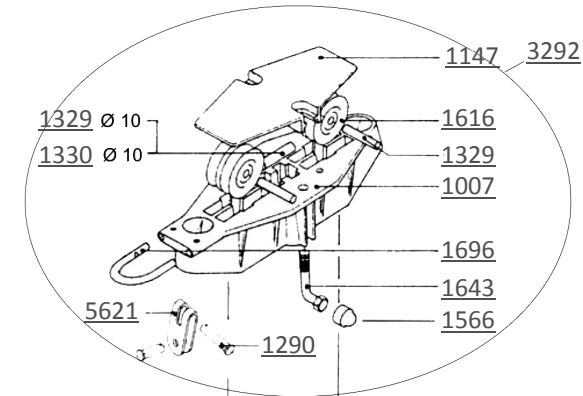


Z 265

MASTS

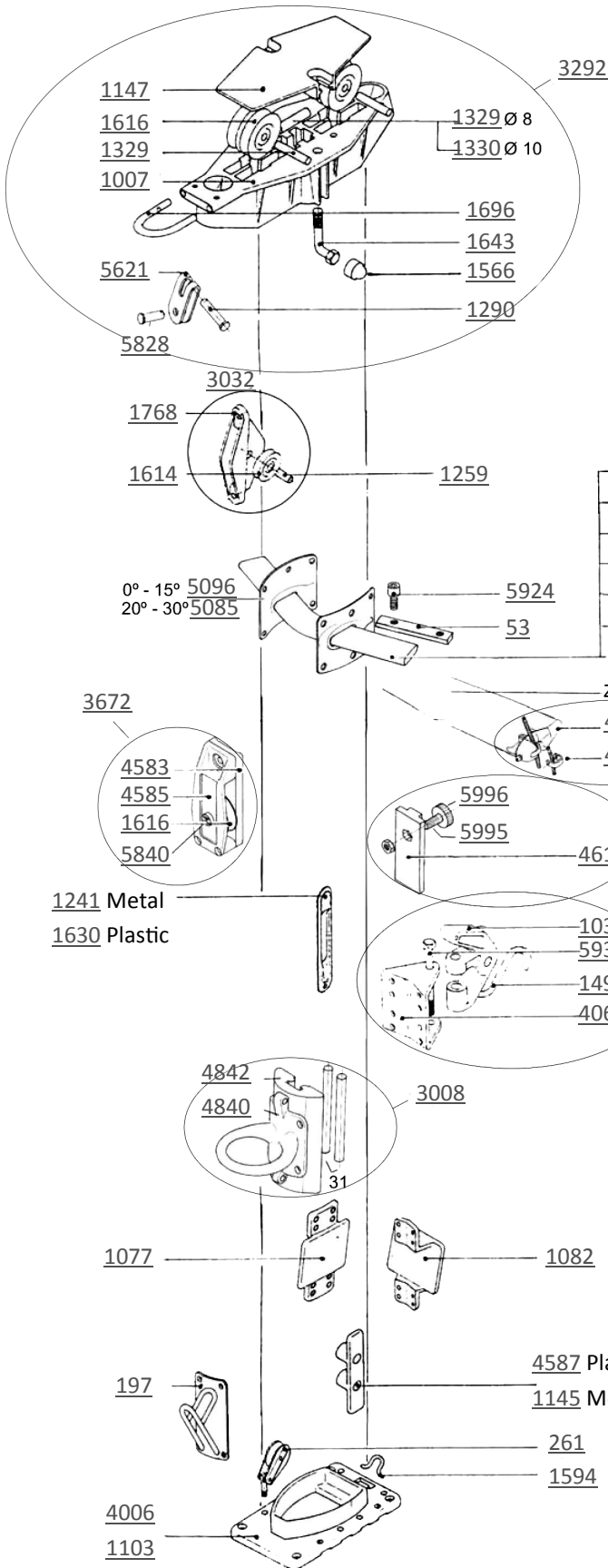
Z 265 7/8

Z 265 Taper

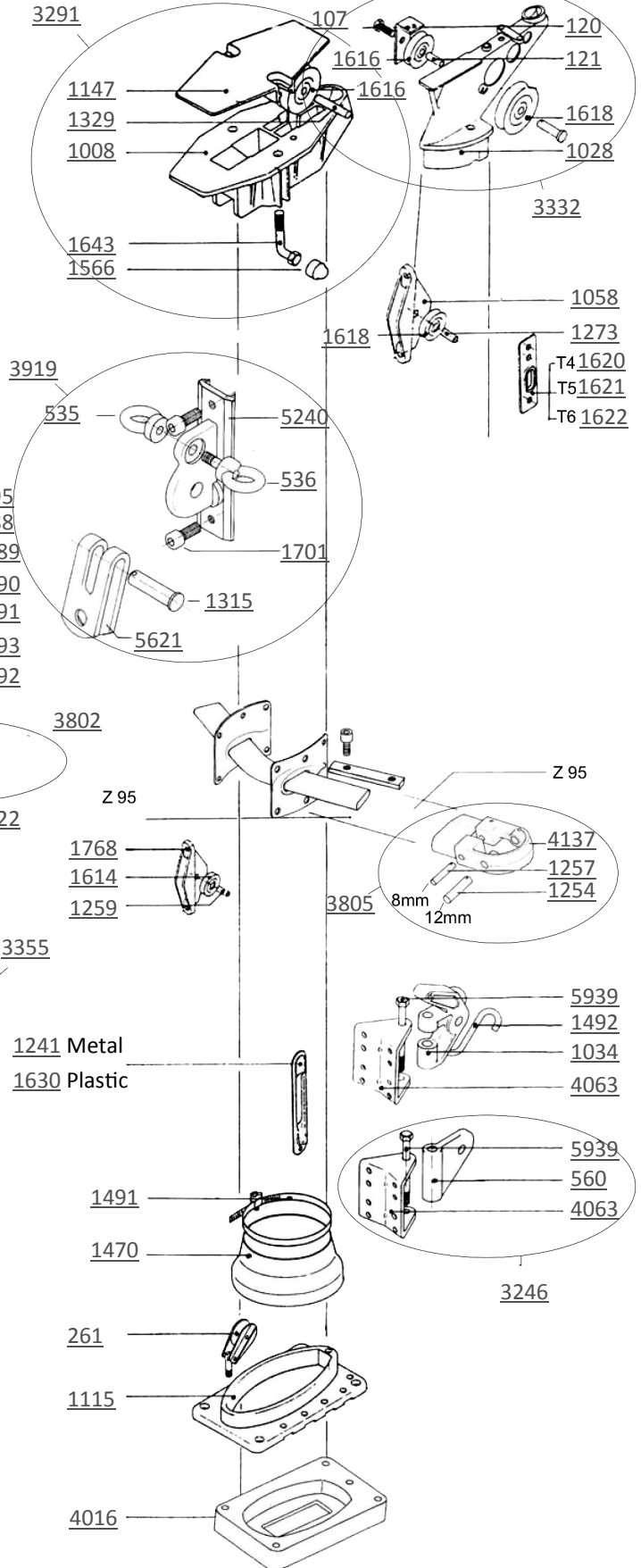


# MASTS

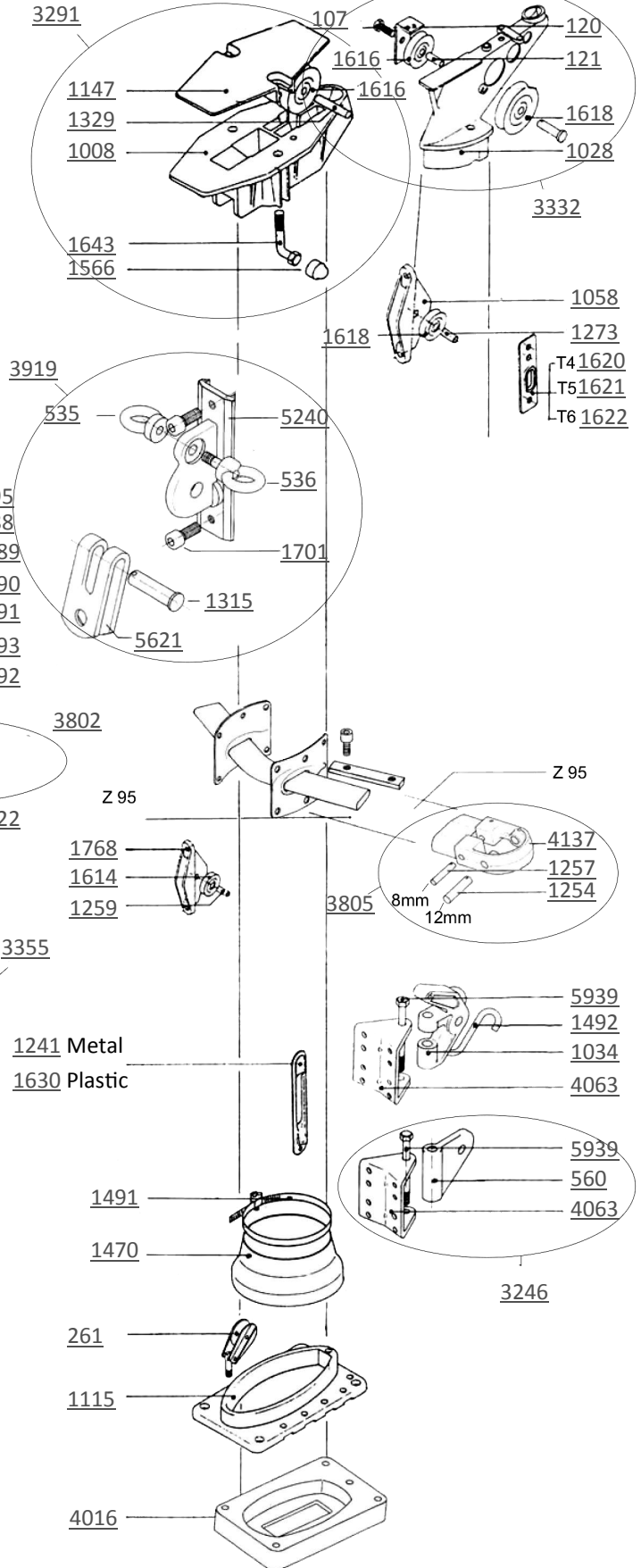
## Z 351



## Z 351 7/8



## Z 351 Taper

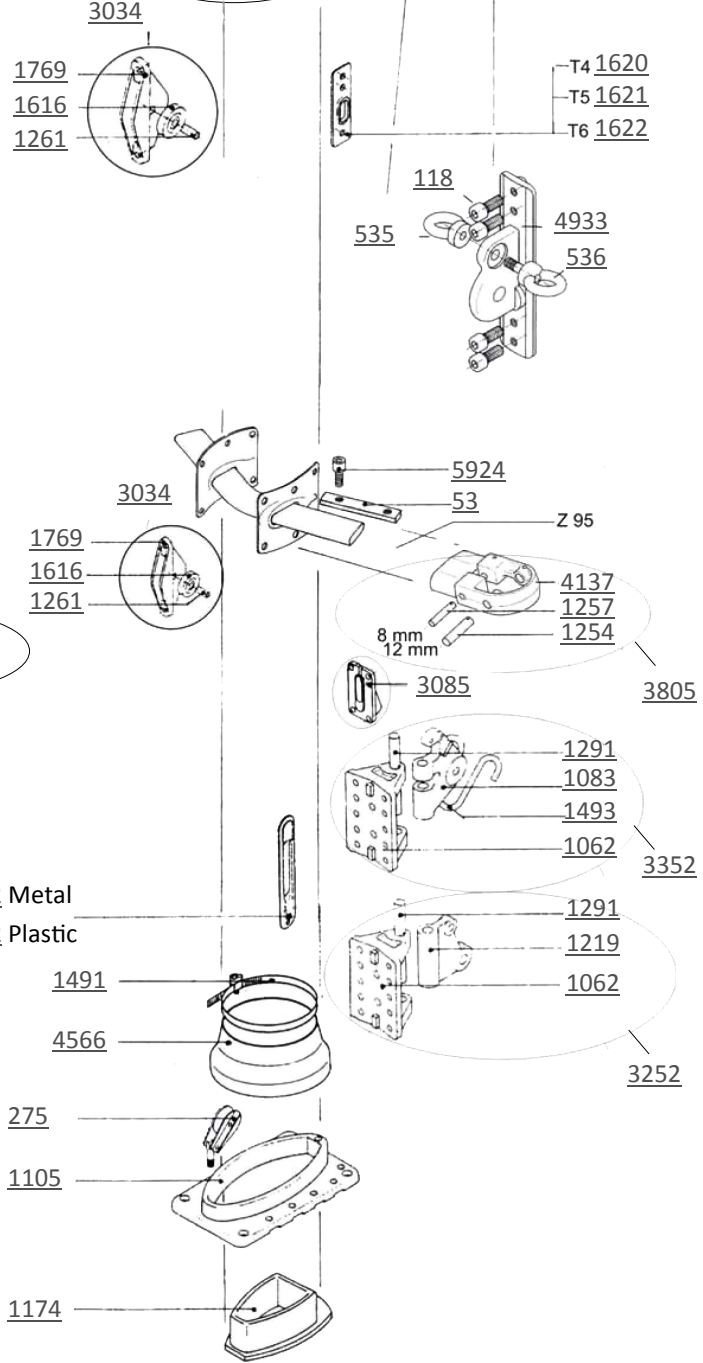
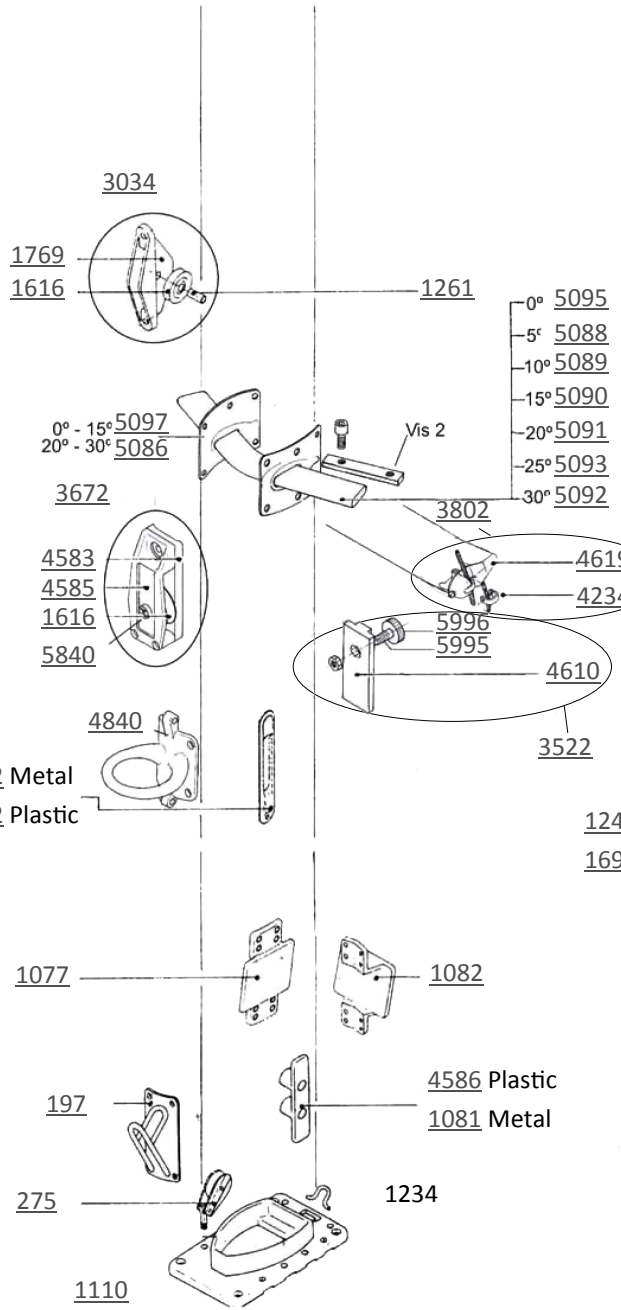
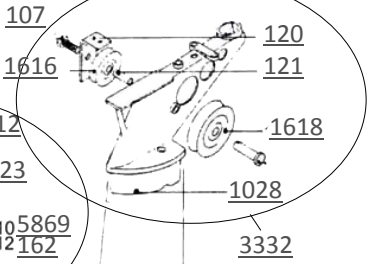
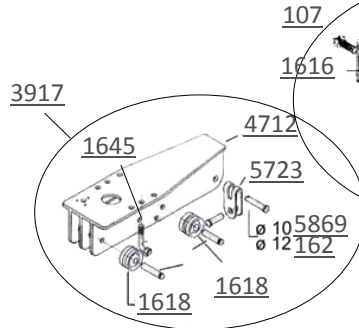
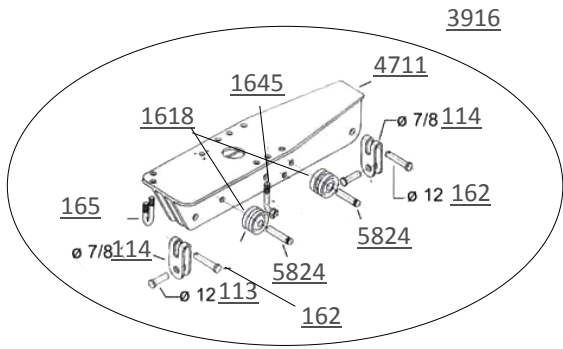


Z 401

MASTS

Z 401 7/8

Z 401 7/8 Taper

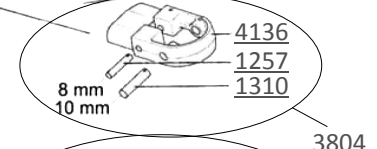
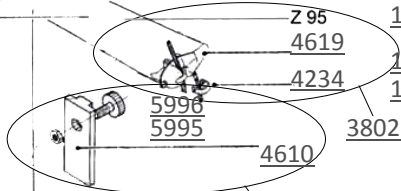
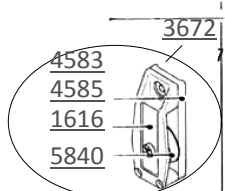
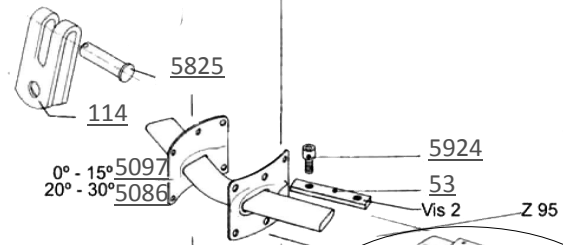
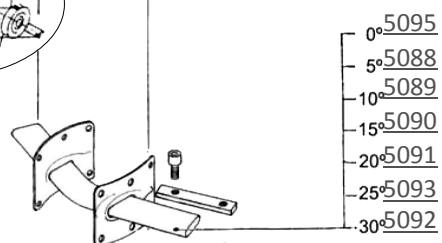
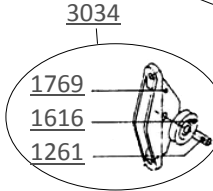
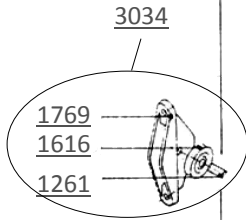
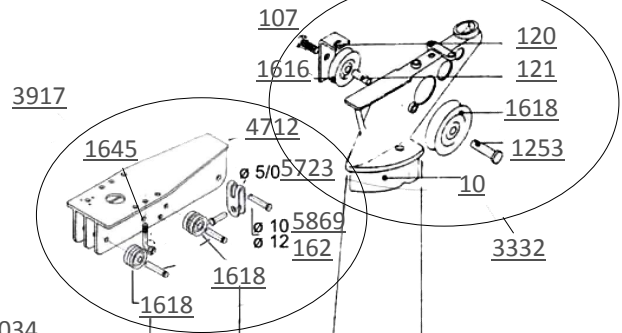
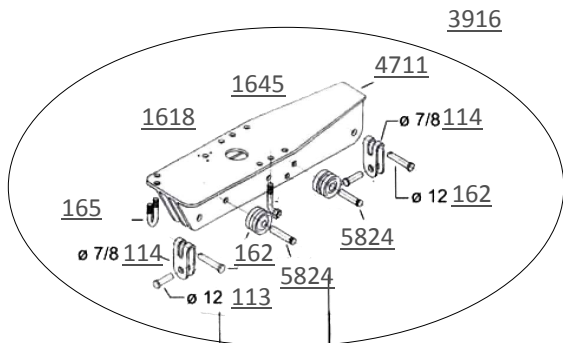


# MASTS

Z 501

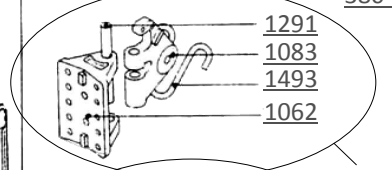
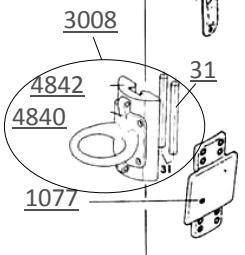
Z 501 7/8

Z 501 7/8 Taper

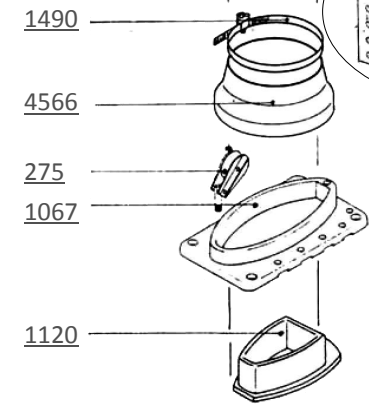
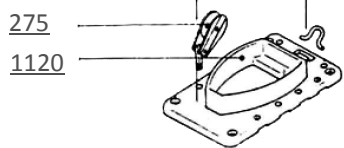
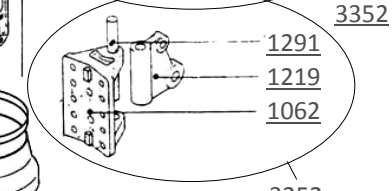


1242 Metal  
1692 Plastic

1242 Metal  
1692 Plastic



4586 Plastic  
1081 Metal

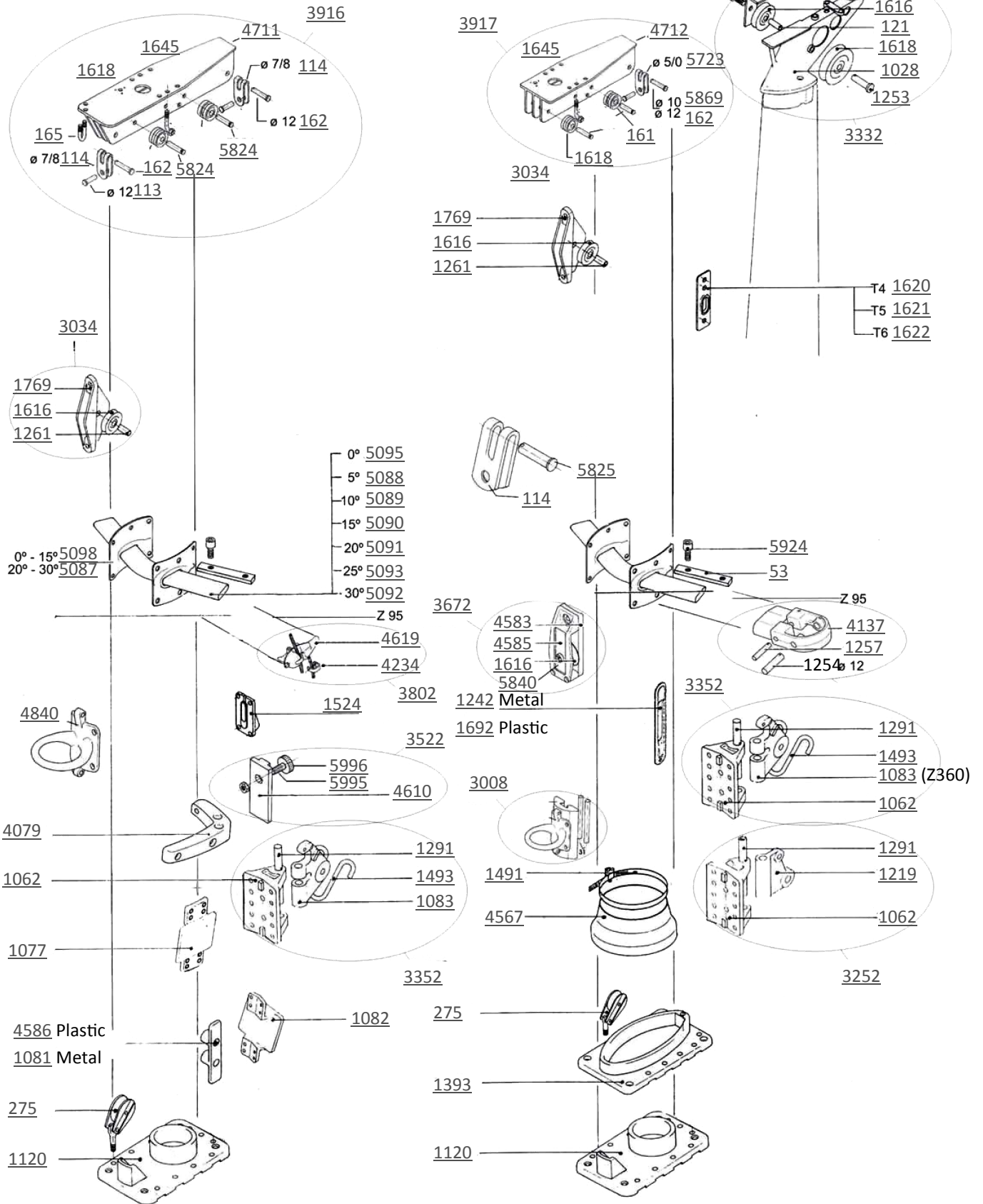


# MASTS

Z 531

Z 531 7/8

Z 531 7/8 Taper



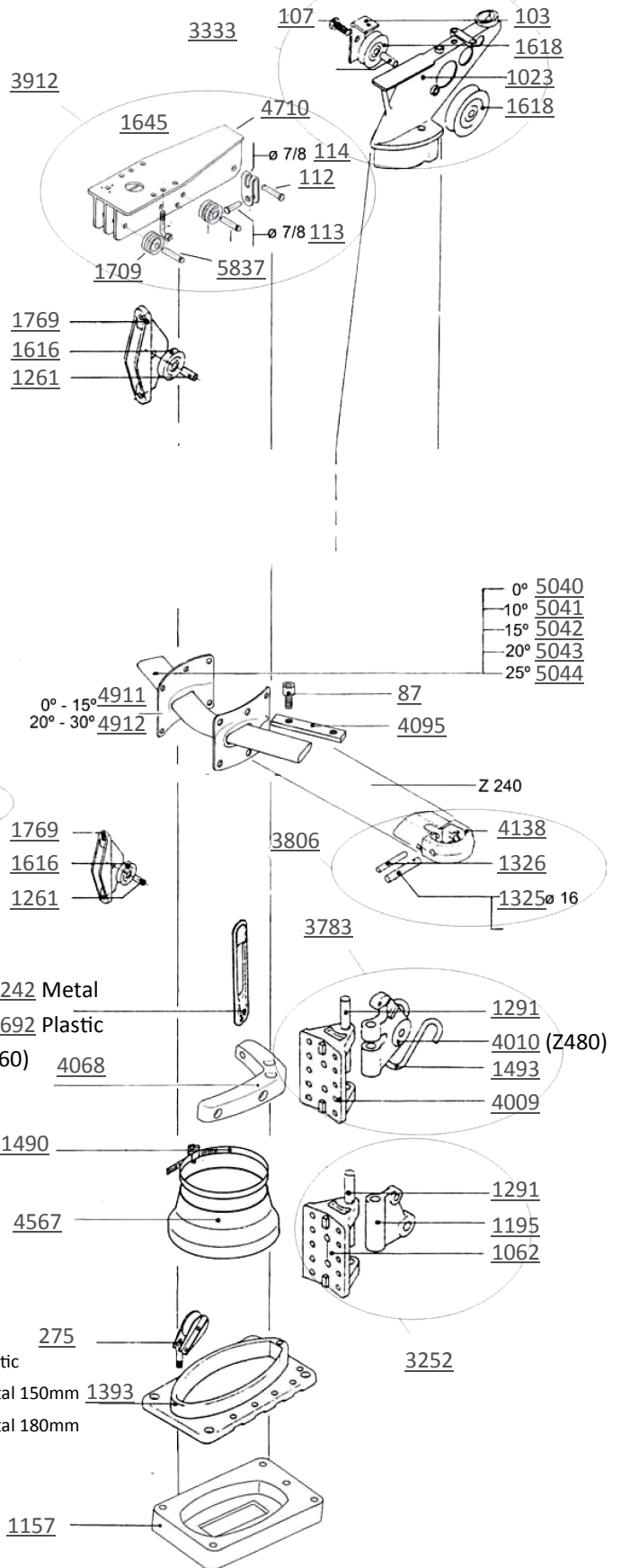
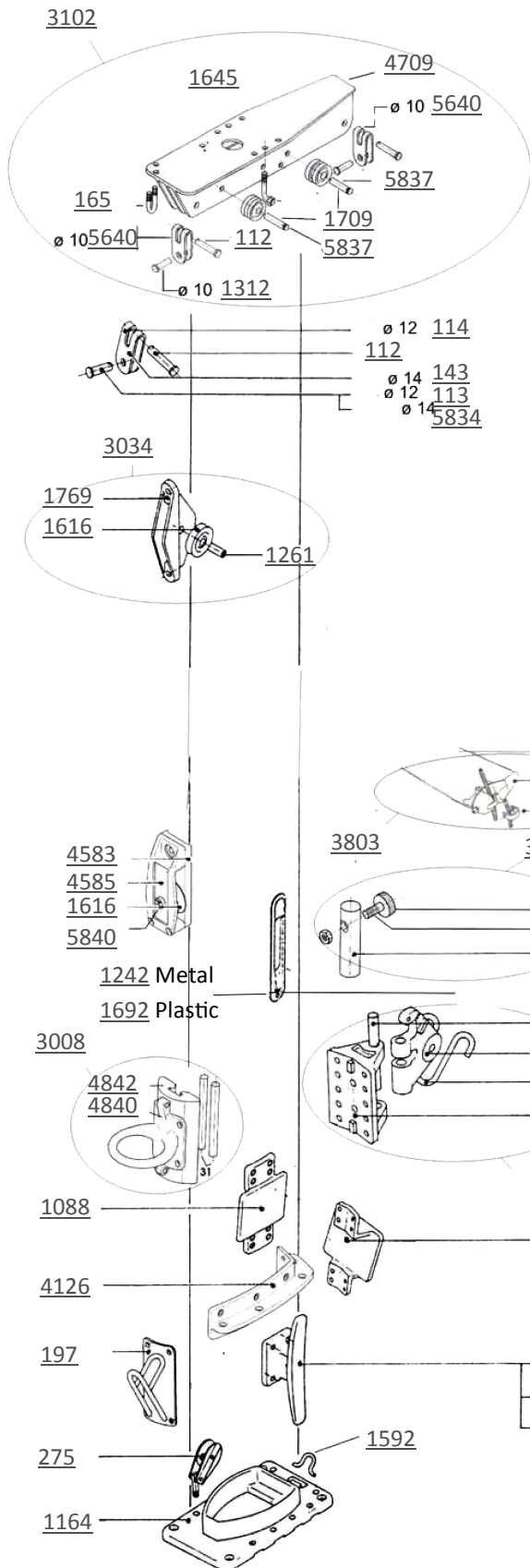


# MASTS

Z 602

Z 602 7/8

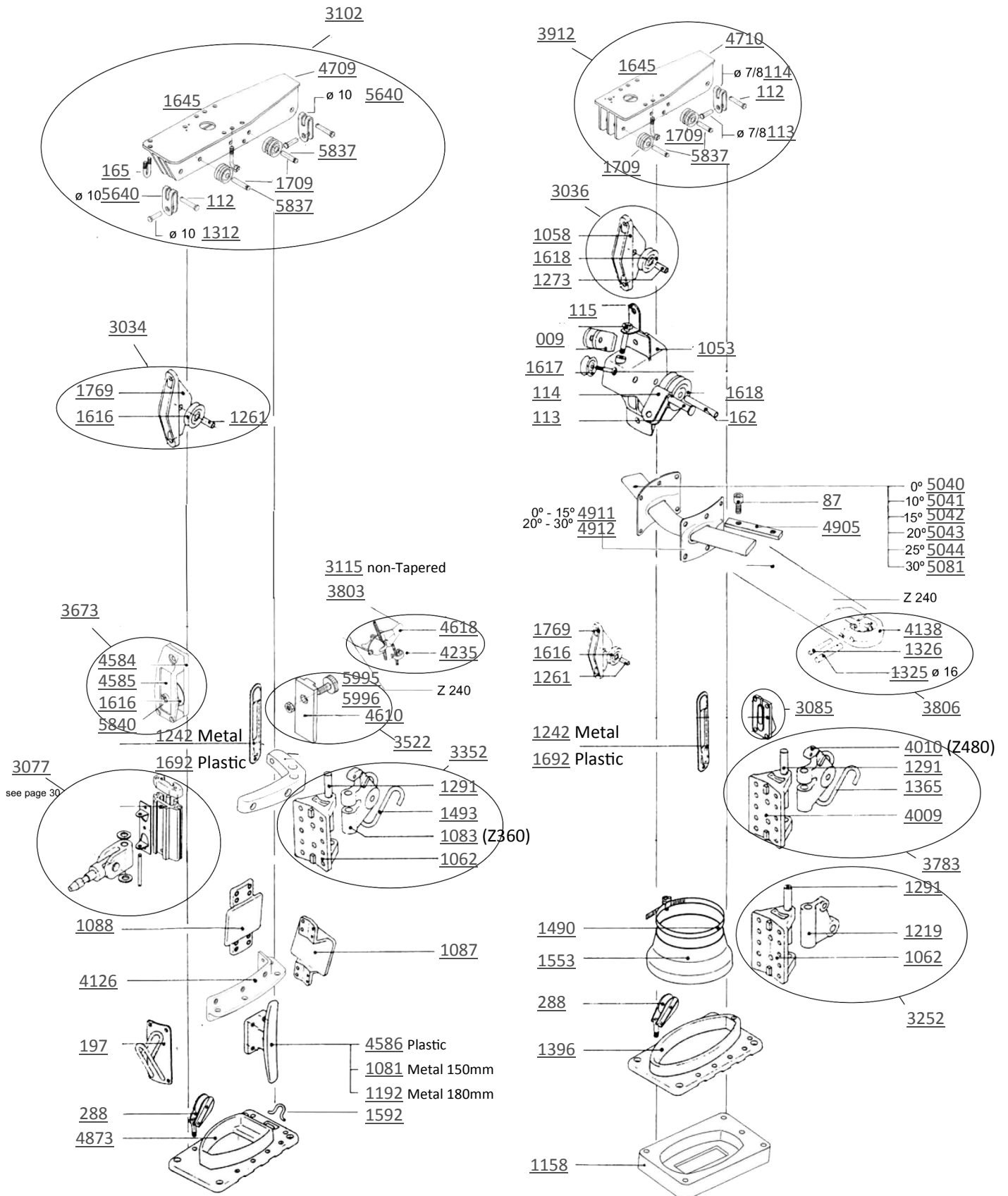
Z 602 7/8 Taper



# MASTS

Z 702

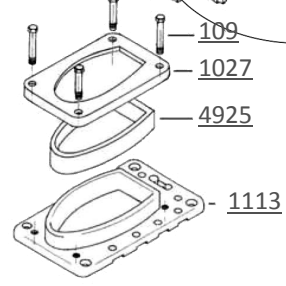
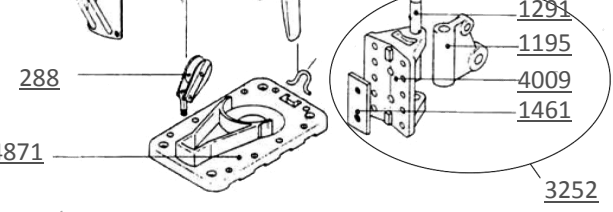
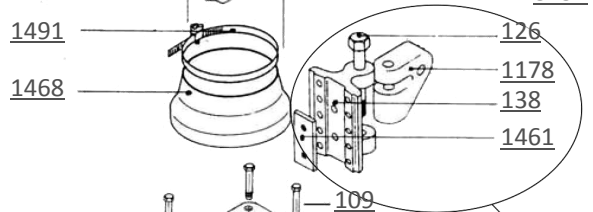
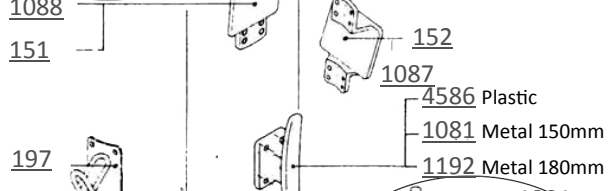
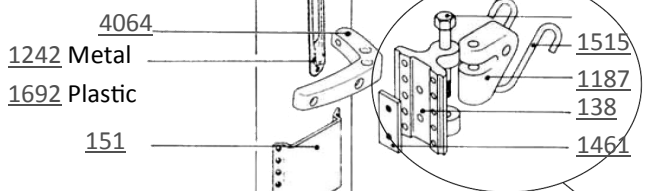
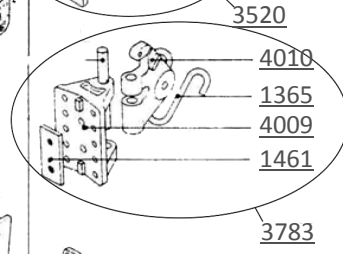
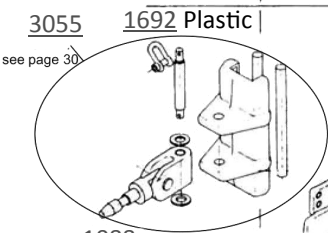
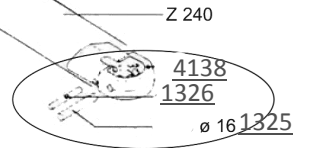
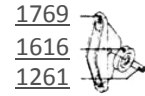
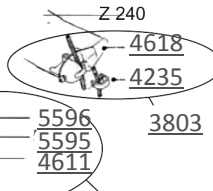
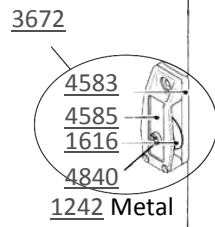
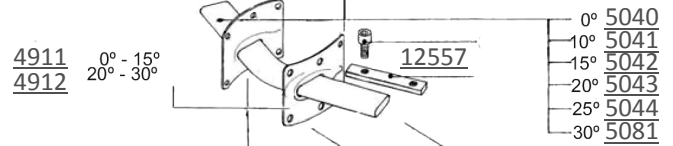
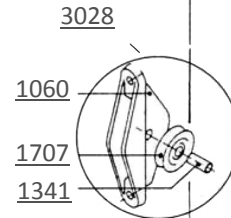
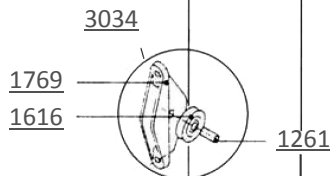
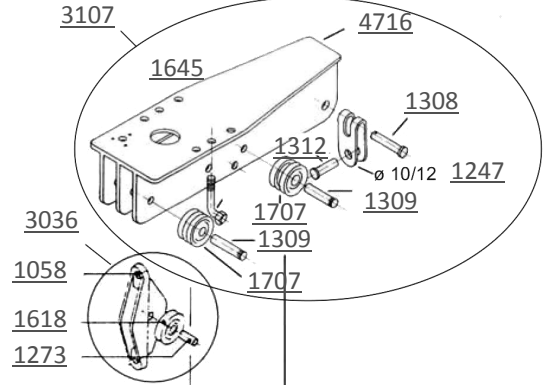
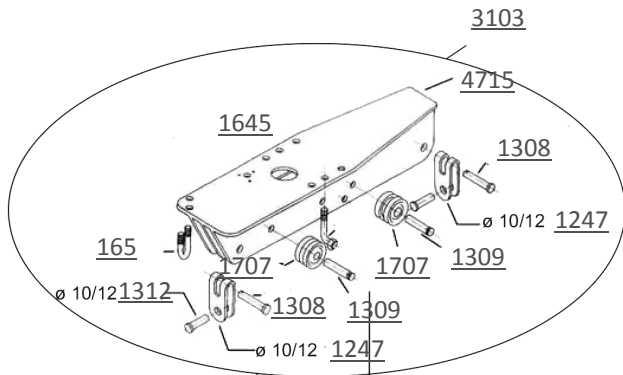
Z 702 7/8



# MASTS

Z 902

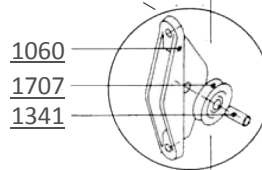
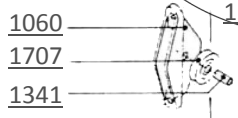
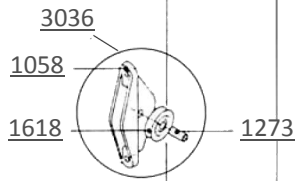
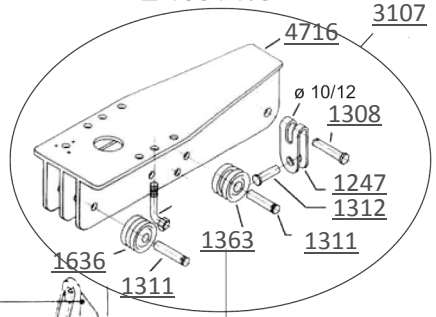
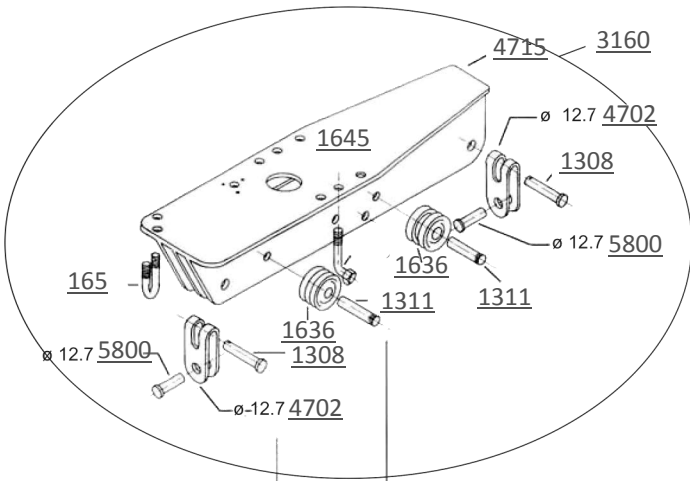
Z 902 7/8



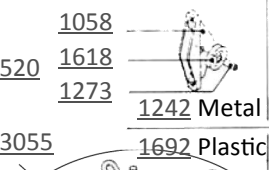
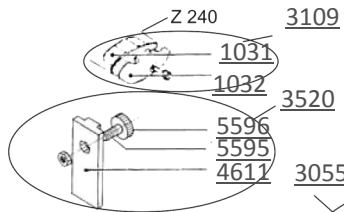
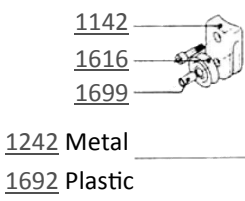
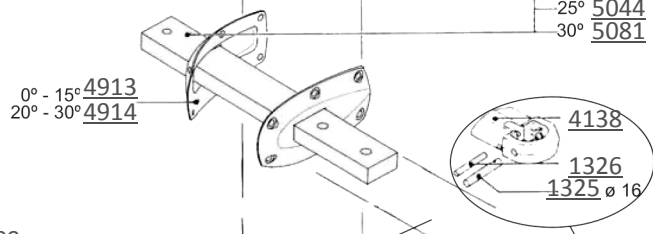
# MASTS

Z 1001

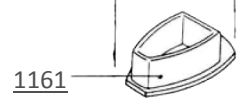
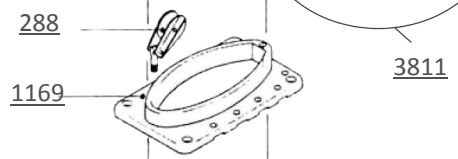
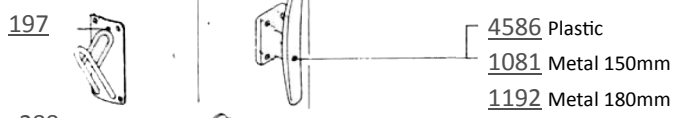
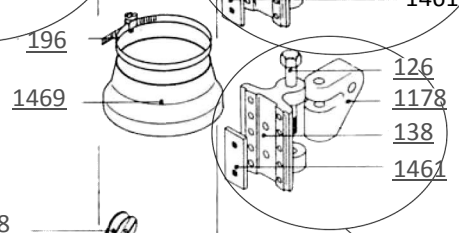
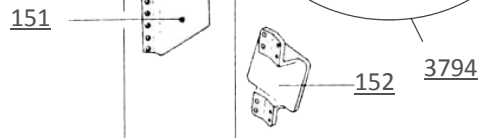
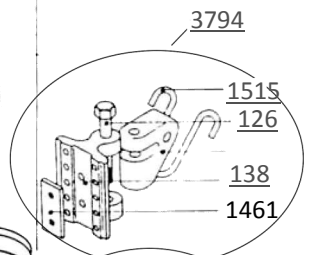
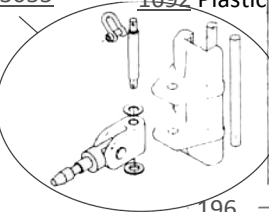
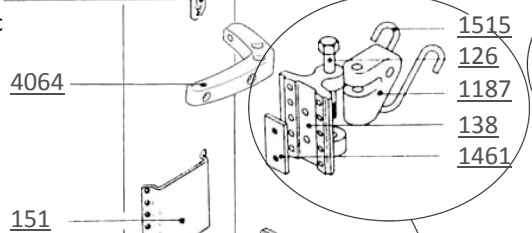
Z 1001 7/8



- 0° 5040
- 10° 5041
- 15° 5042
- 20° 5043
- 25° 5044
- 30° 5081



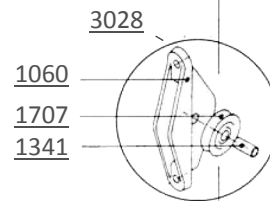
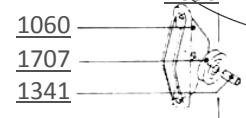
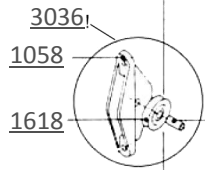
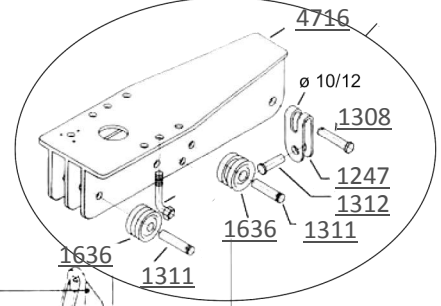
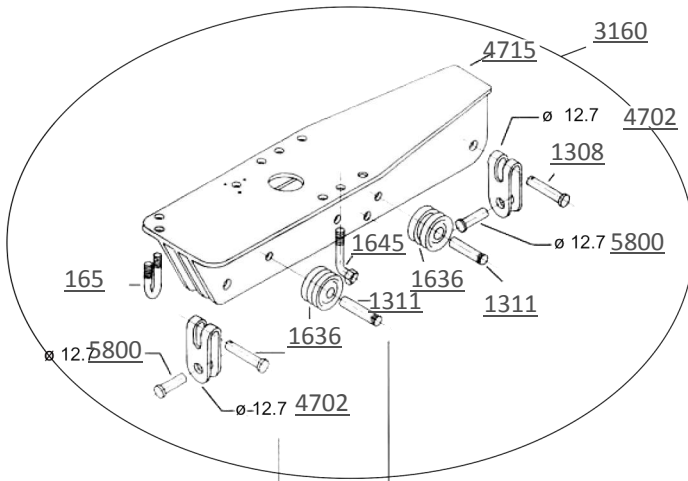
1242 Metal  
1692 Plastic



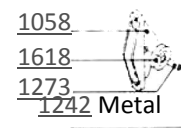
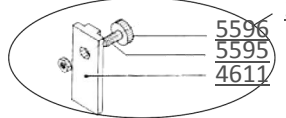
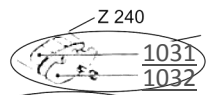
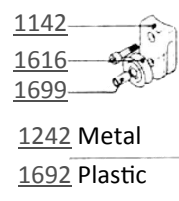
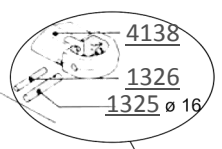
# MASTS

Z 1250

Z 1250 7/8

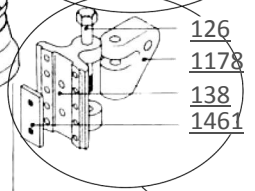
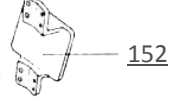
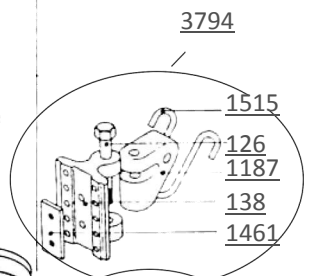
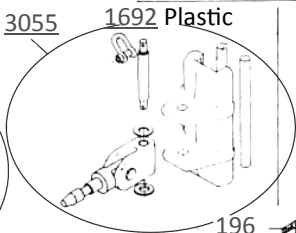
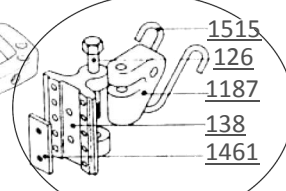


0°	5040
10°	5041
15°	5042
20°	5043
25°	5044
30°	5081



1242 Metal  
1692 Plastic

1242 Metal  
1692 Plastic



4586 Plastic  
1081 Metal 150mm  
1192 Metal 180mm



# Furling Mainsails System

## Installing The Outhaul Rope:

This rope attaches to the front of the boom traveler, it leads around the clew block in the mainsail, underneath the pulley on top of the boom traveler, around the sheave in the boom outhaul end casting, through the halyard exit under the boom (or over the sheave in the front end of the boom) through a pulley behind the kicker and forward to a swivel pulley at the base of the mast. This leads aft in the same way as the furling rope.

## Installing The Furling Rope:

Inside the drum underneath the gooseneck it is possible to see the coils of rope wound on the furling drum. Make sure the rope is fully wound on the drum then unwind three turns. Lead the rope from this slot around the pulley situated under the boom just in front of the kicker/boom vang fitting, then through the swivel pulley attached to the mast base and back to a self-tailing winch on the coach roof via the halyard organizer.

## Installing The Mainsail:

Open and remove all four inspection covers. At the top set of openings you will see the main furling foil and below it the foil connection rod that connects it to the furling drum. Feed the head of the sail through the mast slot and into the main foil. Lower the main halyard down to allow the shackle on the halyard swivel to be attached to the strap sewn into the head of the sail using an allen key.

Continue to feed the sail into the slot whilst the main halyard is being hoisted. Do not attempt this with the wind astern. (This task is best attempted in little or no wind). Once the sail is hoisted to a point where the tack web loop is almost level with the large tack shackle stop. You now have to back the remaining luff down the foil from the sail entry until you can connect it to the tack shackle. It is important to have the full length of the luff in the foil from shackle to shackle with no cut away below the sail entry. Connect the bottom web of the sail to the base of the furling extrusion with the shackle provided, by gaining access through the lower inspection holes. Please note that this tack shackle also connects the furling extrusion to the furling drum. Refit inspection covers. Complete the installation by applying moderate tension to the main halyard.

## Furling The Sail:

Release vang and mainsheet so that the leach has little or no tension.

Maintaining a slight tension on the outhaul line, furl the sail into the mast with the inhaul line taut and keep the wind ahead. (A slight pressure from the wind will prevent creases in the sail). Insure that the furling drum has two or three turns of rope left on it when the sail is fully furled. The sail will only furl as far as the reinforcement patch.

## Changing The Furling Rope:

Open the lower inspection covers and remove the tack shackle. This will disconnect the furling drum from the furling foil. Remove the machine screws holding the furling mechanism to the mast. These are located two at the top of the drum and two at the bottom of the drum. On some models there will be two additional screws or rivets on the side of the mast to be removed. Using a large screwdriver lever the furling drum away from the mast at the bottom end. The furling rope is retained by a simple knot inside the furling screw push the rope towards the drum and the knot will appear at the bottom of the furling screw. Undo the knot remove rope and replace. We recommend a 10mm braid on our larger gears (Beneteau 40 to 46) and an 8mm on our smaller gears (Beneteau 31-37) this braid must be of a good quality that will not flatten. This operation is made easier with the sail removed.

## **Maintenance:**

Z spar furling masts require minimum maintenance.

The boom traveler should be flushed with detergent and fresh water regularly.

The furling rope should be replaced every four years or as required. Clean and flush top and bottom of furling mechanism regularly and spray with WD 40 or Harken lube (the ball bearings in the furling mechanism and halyard swivel are all stainless steel so need minimum maintenance).

Remove mainsail every year for inspection and every 3-4 years it is recommended that you let your local sailmaker inspect and service the sail.

## **Trouble Shooting:**

When unfurling the sail if there is resistance for the boom traveler to move, the most likely cause will be excessive main-sheet or vang/kicker tension. Check also for friction with in the halyard organizers or at the mast base blocks, if these do not move freely it will cause slowing of the gear.

If the sail is not new there may be localized hardening of the head reinforcement, or fraying at the leach, which can cause friction. It is worth having the sail checked every year to avoid such problems.

When unfurling the sail if there are creases originating at the luff, and if these cannot be removed by increasing the main halyard tension, the most likely cause is that the sail maker has made the luff too long, (too much halyard tension will also cause friction at the halyard swivel).

Alternatively, the sail may have been furled with too much kicker tension.

With any furling mast it is important that pre bend be kept to a minimum, although a small amount of bend can help stabilize the middle of the mast the straighter a furling mast is the better it will work, please refer to our tuning guide for help with mast set up.

If you are having ongoing problems with furling it is a good idea to remove the sail and then try turning the furling system to establish if your problem stems from the furling system or the sail. If you find the system works well without the sail it is advisable to have a sailmaker check the sail. We recommend Neil Pryde Sails Int, 203-874-6984 as a very reliable sailmaker who has a good knowledge and experience with our system.

If you find the system is not turning as free as it should then removing the drum is advisable, with the drum removed you can clean and inspect it for damage. If you have time you can send the drum to our facility in Florida where we can service the system and replace any necessary parts. The base cost for this service is approximately \$120.00 plus return shipping.

It is necessary to change to furling inhaul line regularly; this line can harden and flatten after just a season or two. If this line is not inspected and replaced when required it can jump the grooves in the drum and damage the back plate. We recommend the use of a good quality line with high abrasion resistance, your system will come fitted with metric line but if you have to use imperial line then replace 8mm with 5/16" and 10mm with 3/8".

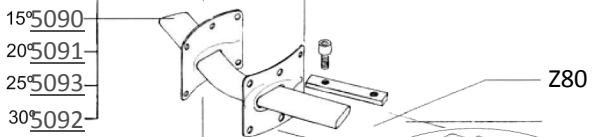
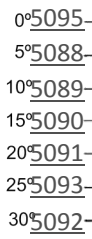
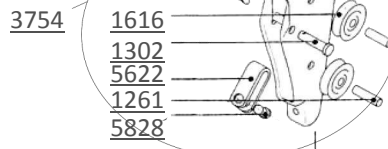
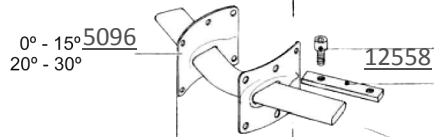
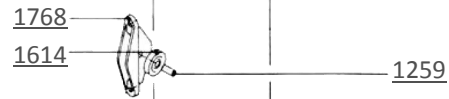
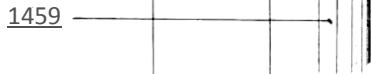
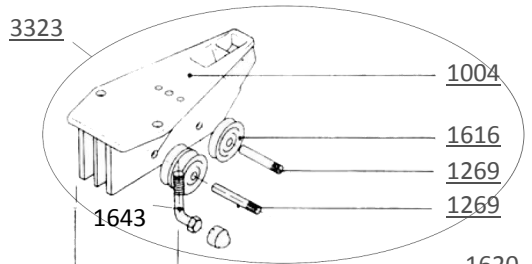
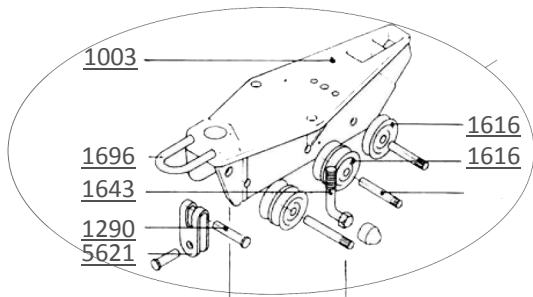
One thing to keep in mind when furling or unfurling is that you are trying to keep equal tension on the foot and leach of the main, if one has vastly different tension the sail will furl uneven.

Releasing all leach line tension will help when furling.

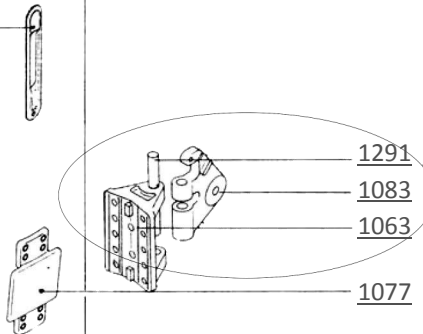
# MASTS

## Z 300 E

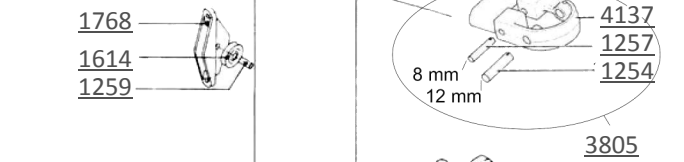
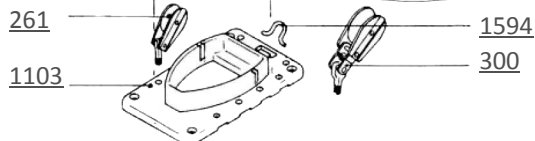
## Z 300 E 7/8



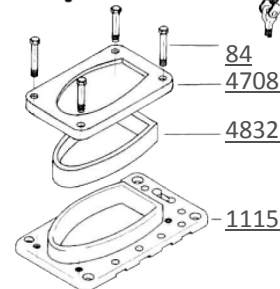
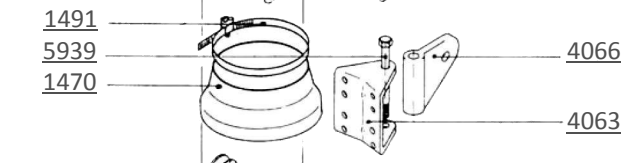
1241 Metal  
1630 Plastic



4587 Plastic  
1145 Metal



1291  
1241 Metal  
1630 Plastic

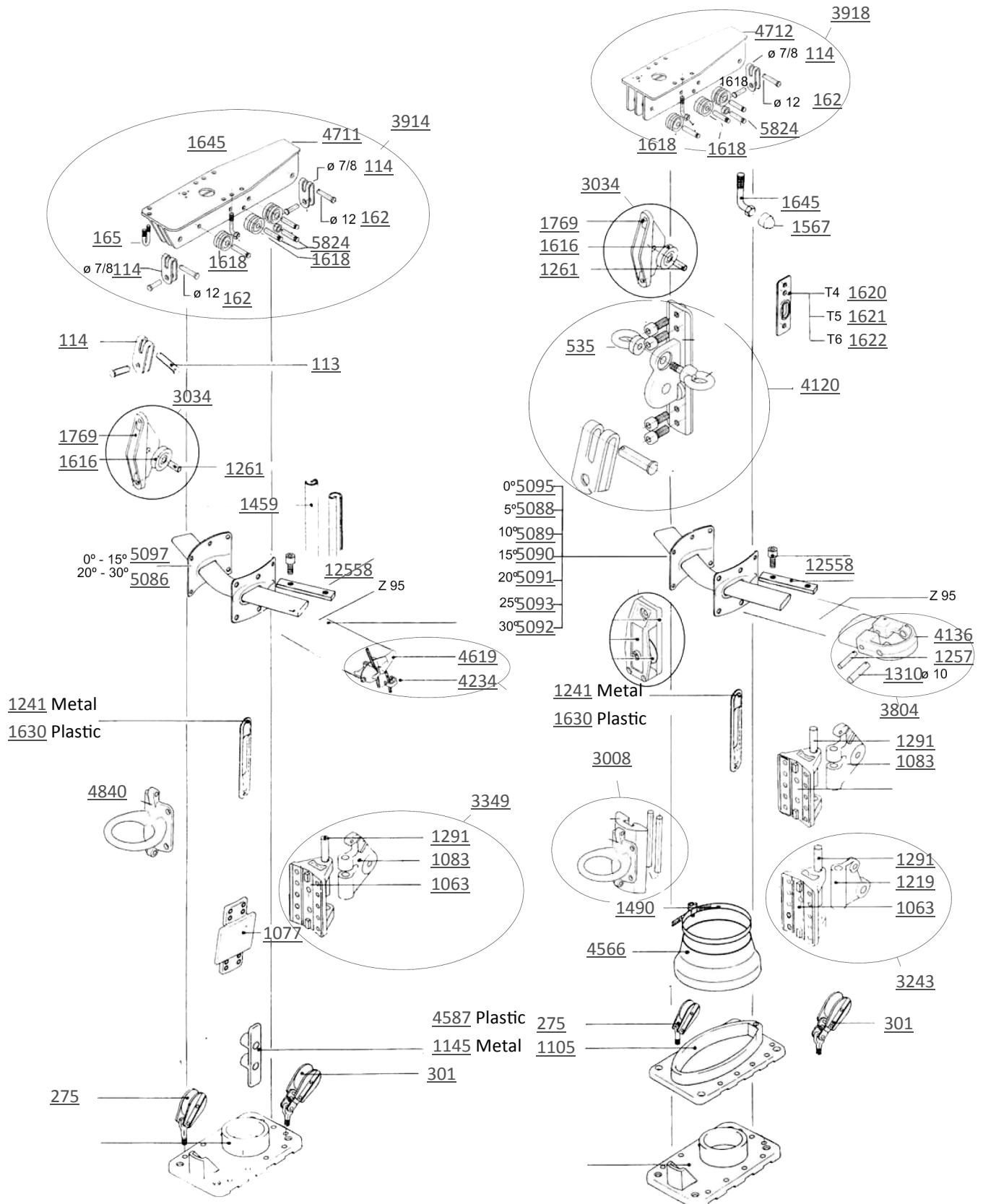




# FURLING MASTS

Z 400 E

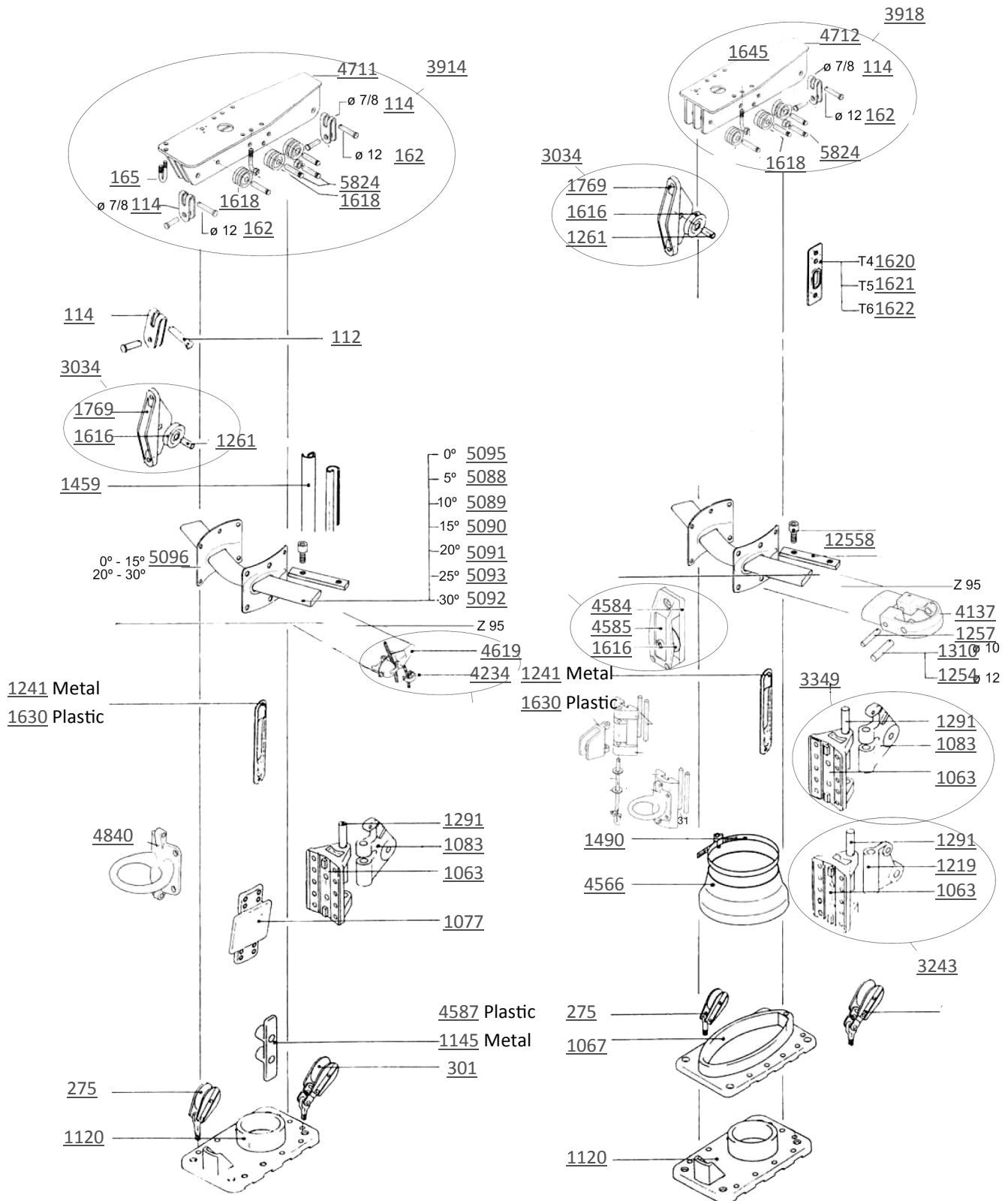
Z 400 E 7/8



# FURLING MASTS

Z 500 E

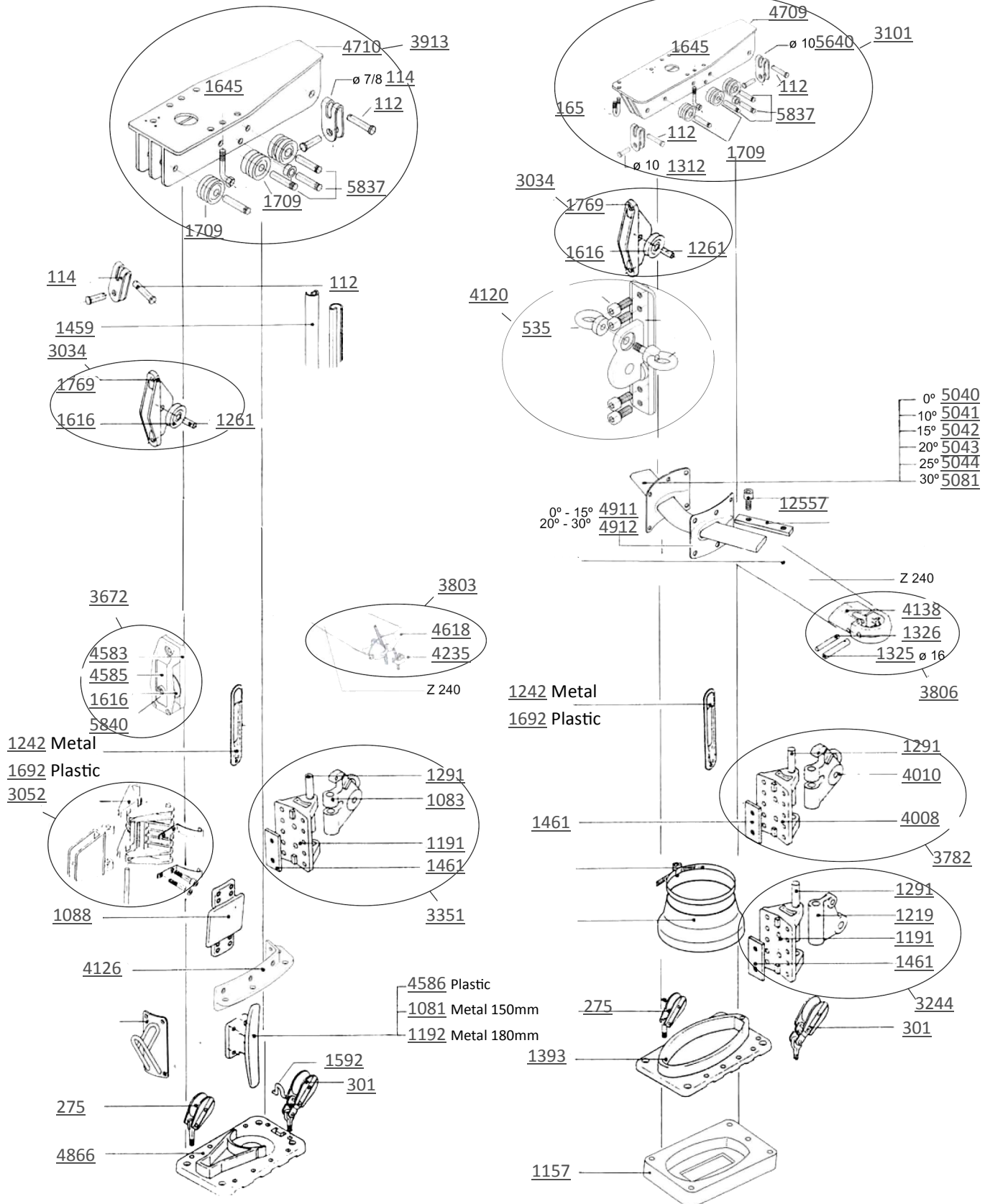
Z 500 E 7/8



# FURLING MASTS

Z 602 E 7/8

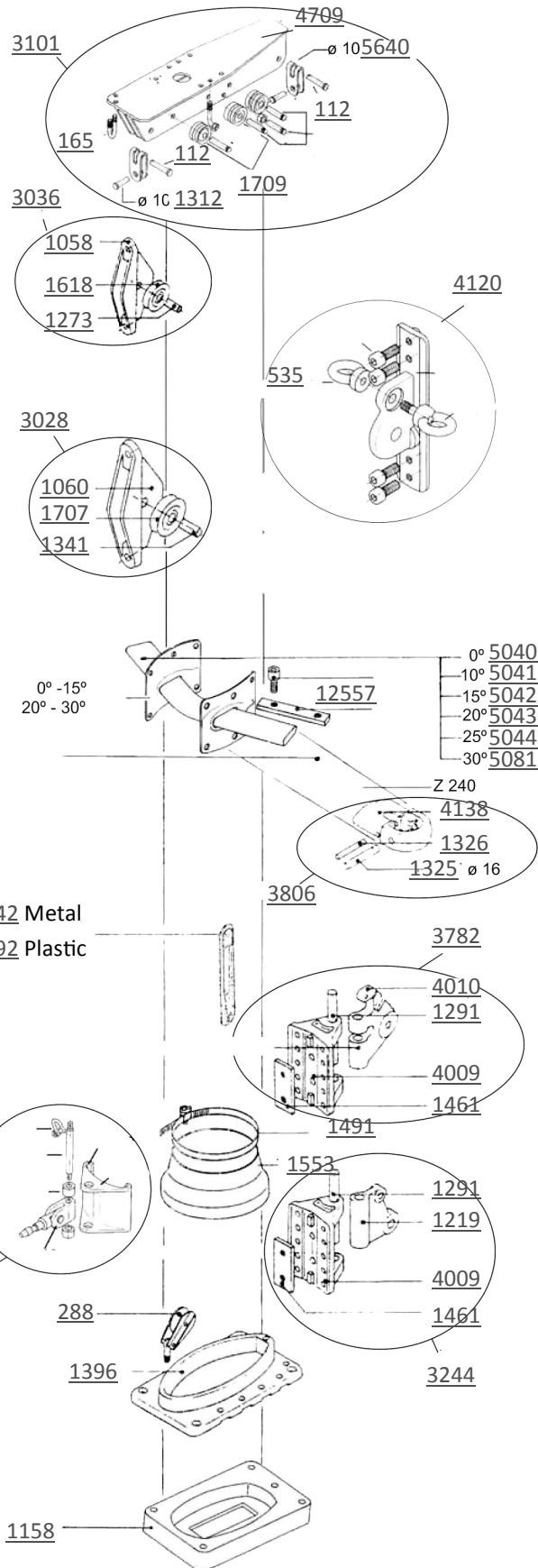
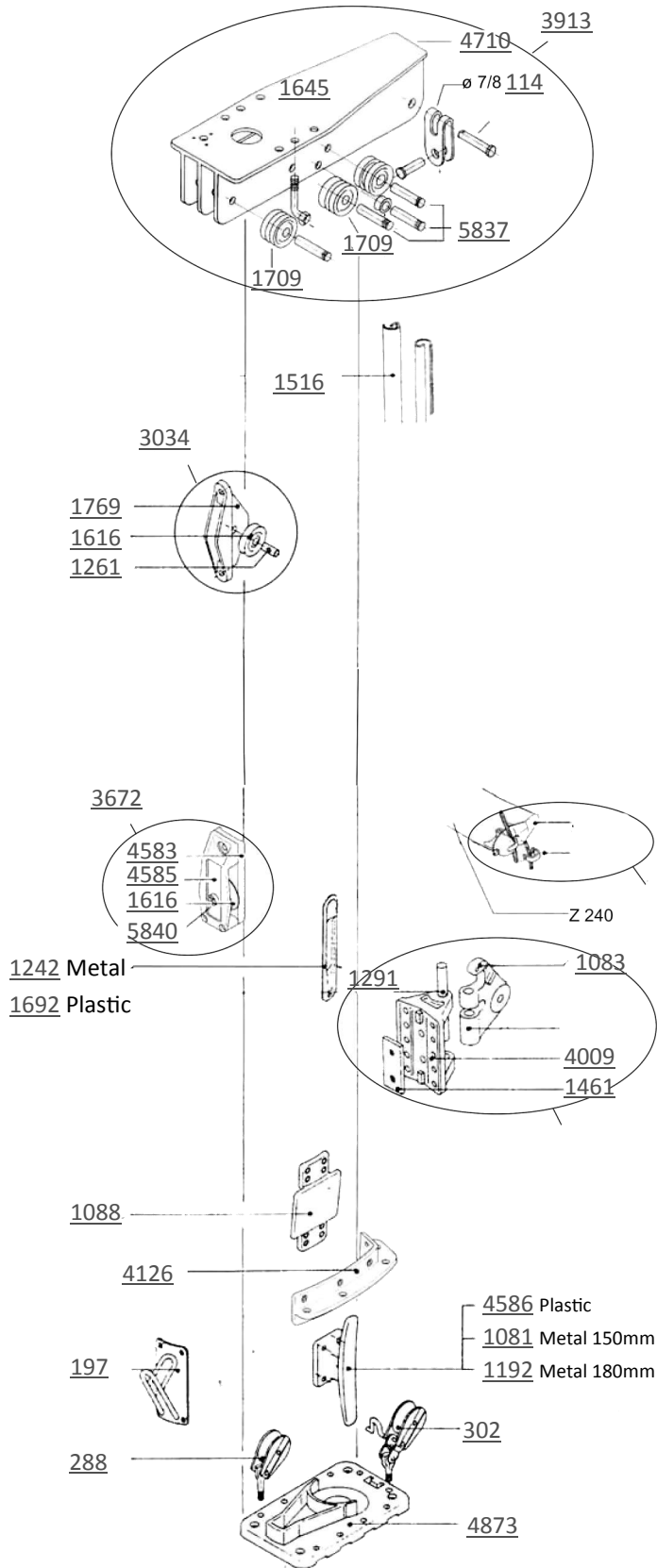
Z 602 E



# FURLING MAST

Z 702 E

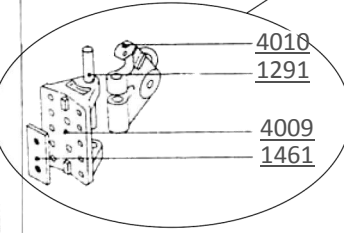
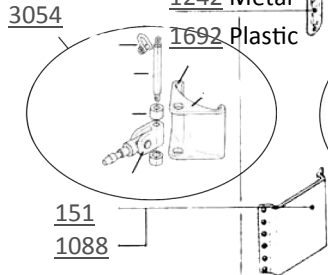
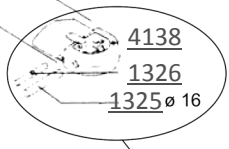
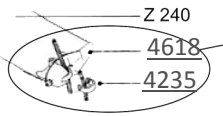
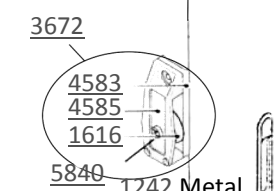
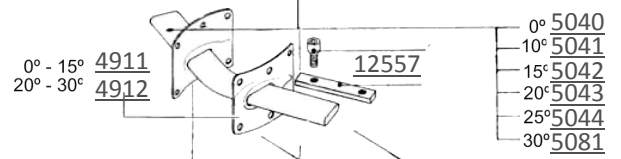
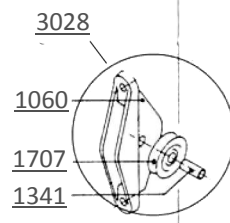
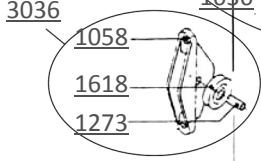
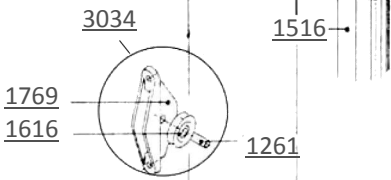
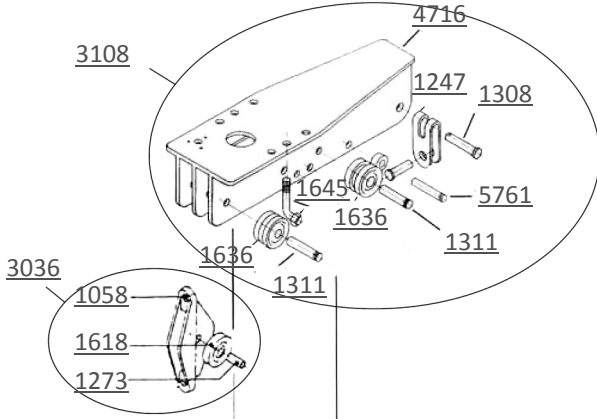
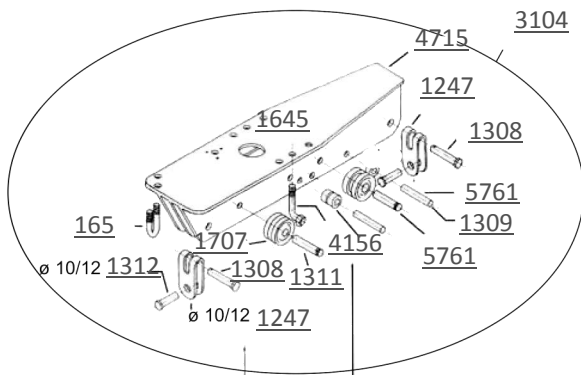
Z 702 E 7/8



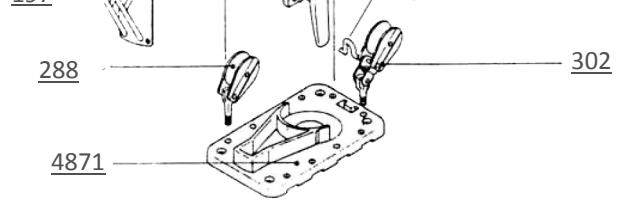
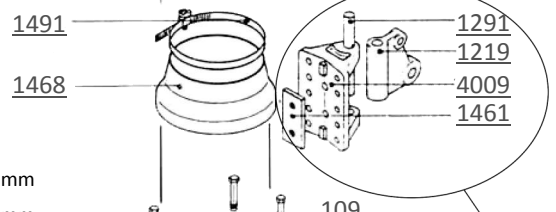
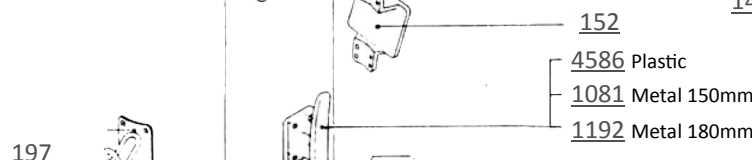
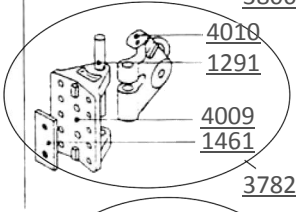
# FURLING MASTS

Z 902 E

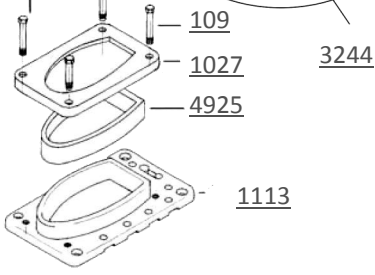
Z 902E 7/8



1242 Metal  
1692 Plastic



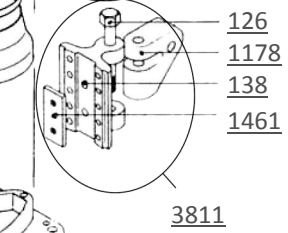
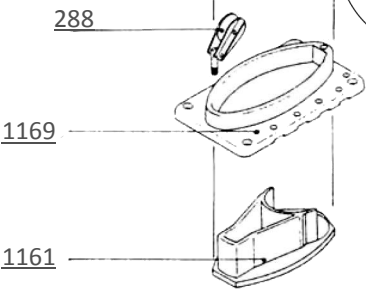
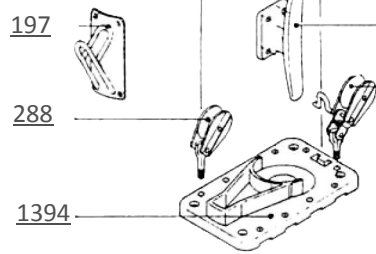
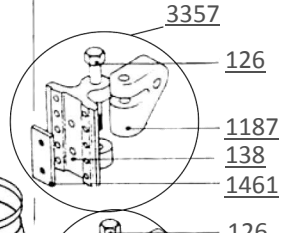
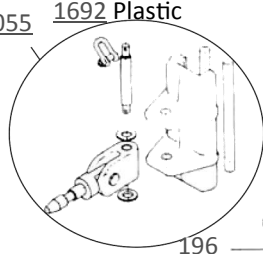
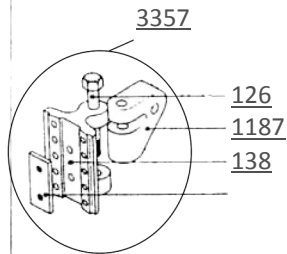
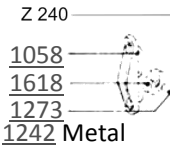
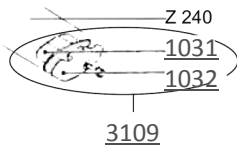
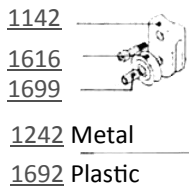
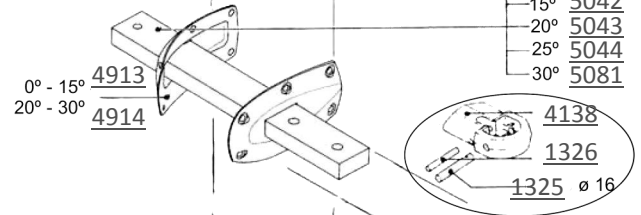
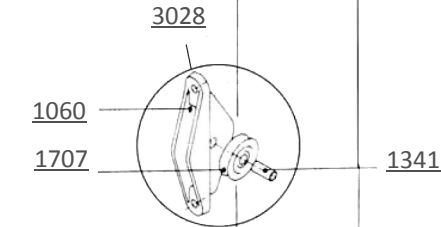
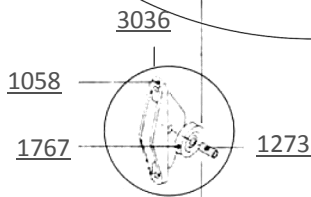
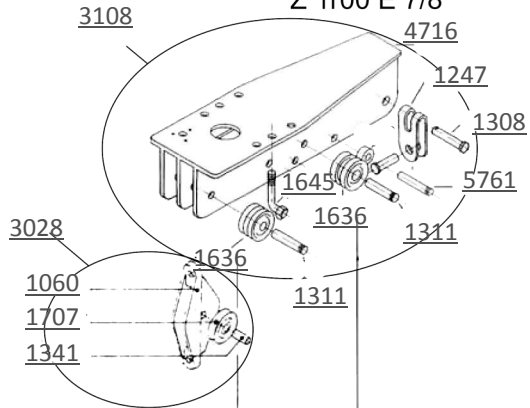
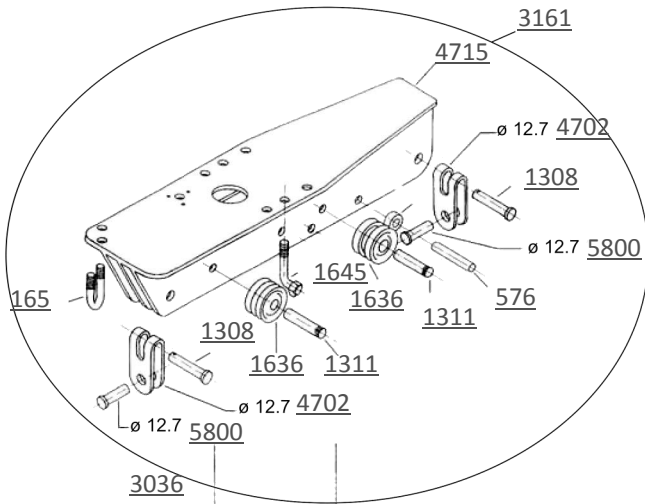
4586 Plastic  
1081 Metal 150mm  
1192 Metal 180mm



# FURLING MASTS

Z 1100 E

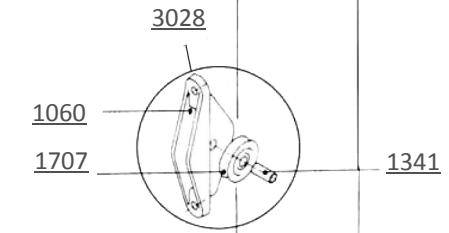
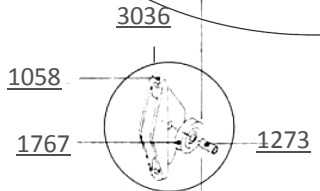
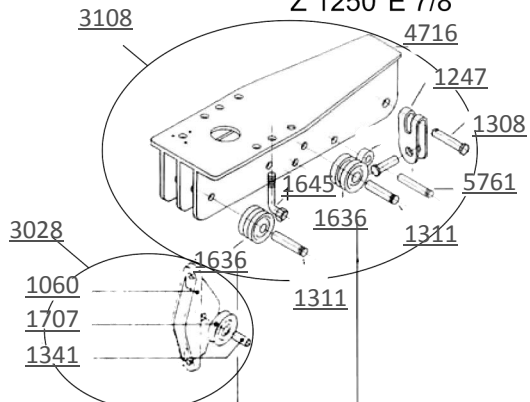
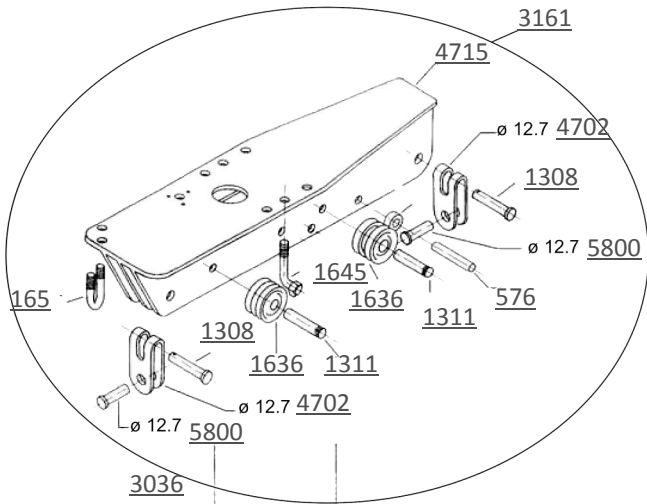
Z 1100 E 7/8



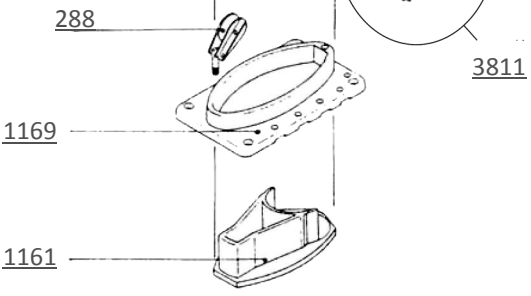
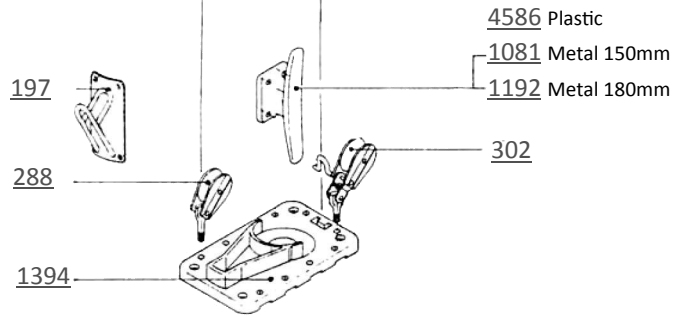
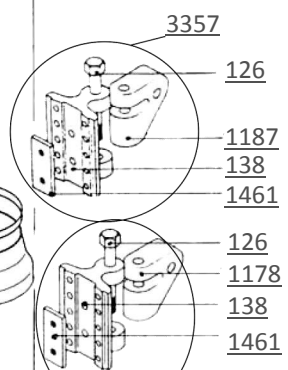
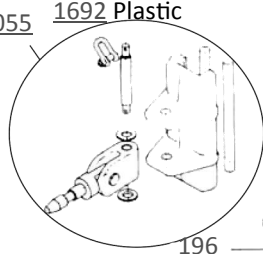
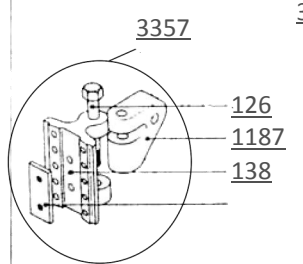
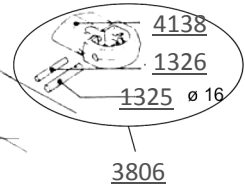
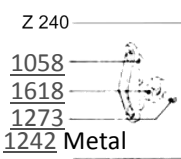
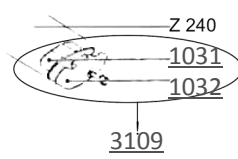
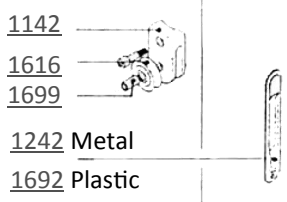
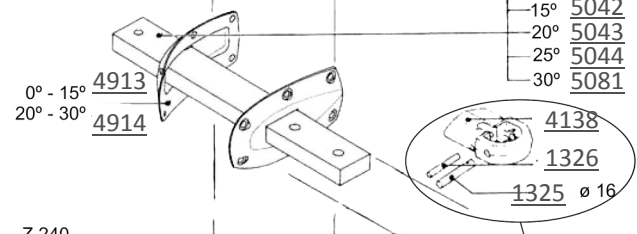
# FURLING MASTS

Z 1250 E

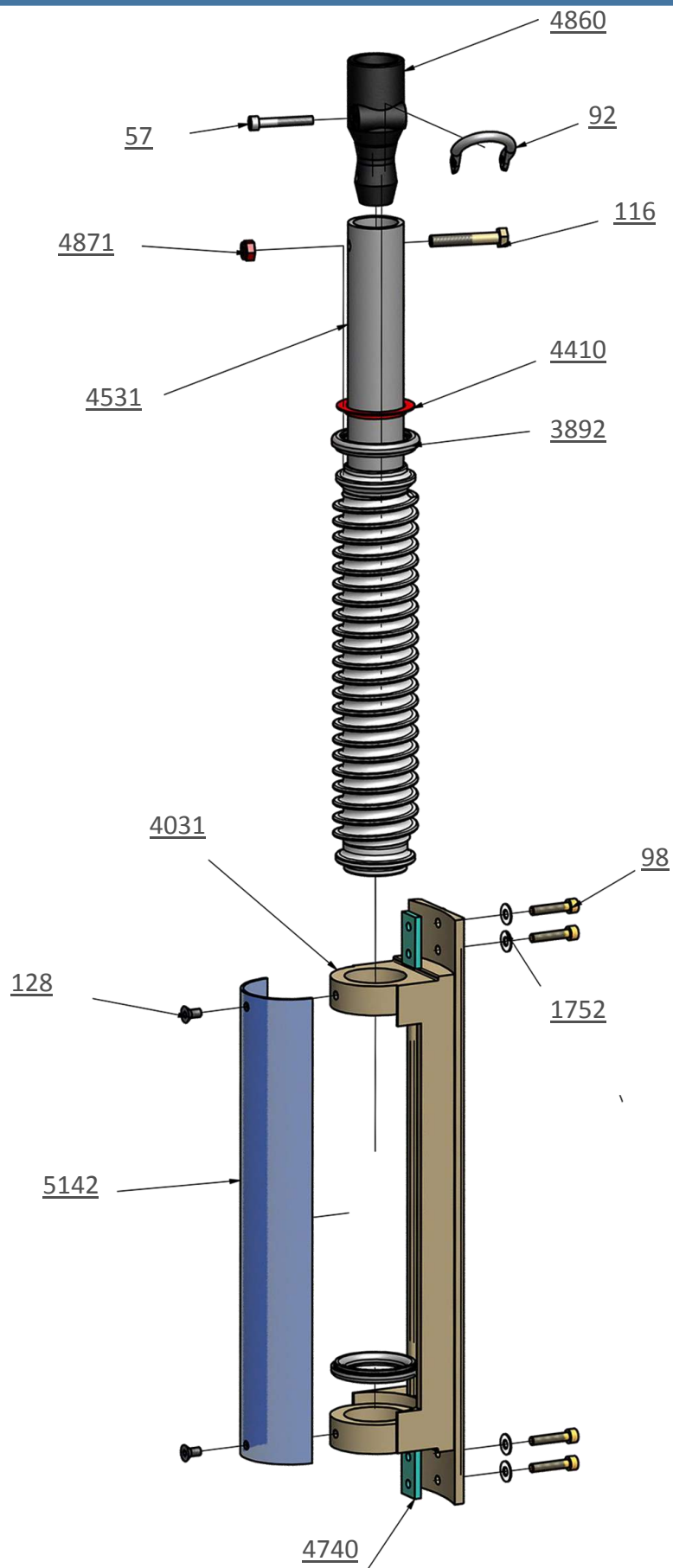
Z 1250 E 7/8



- 0° 5040
- 10° 5041
- 15° 5042
- 20° 5043
- 25° 5044
- 30° 5081

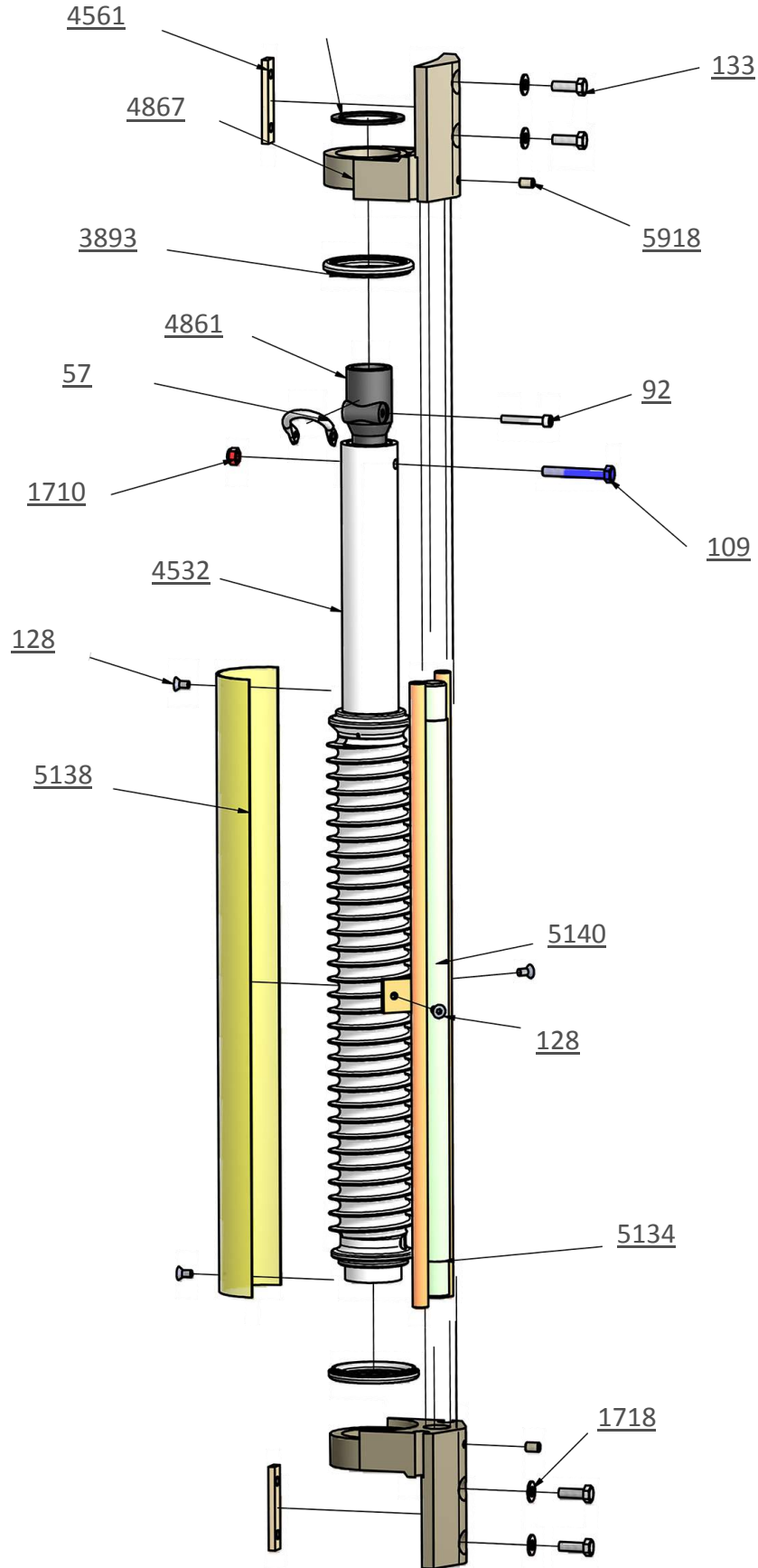


# Small Furling Drum Layout Z532E

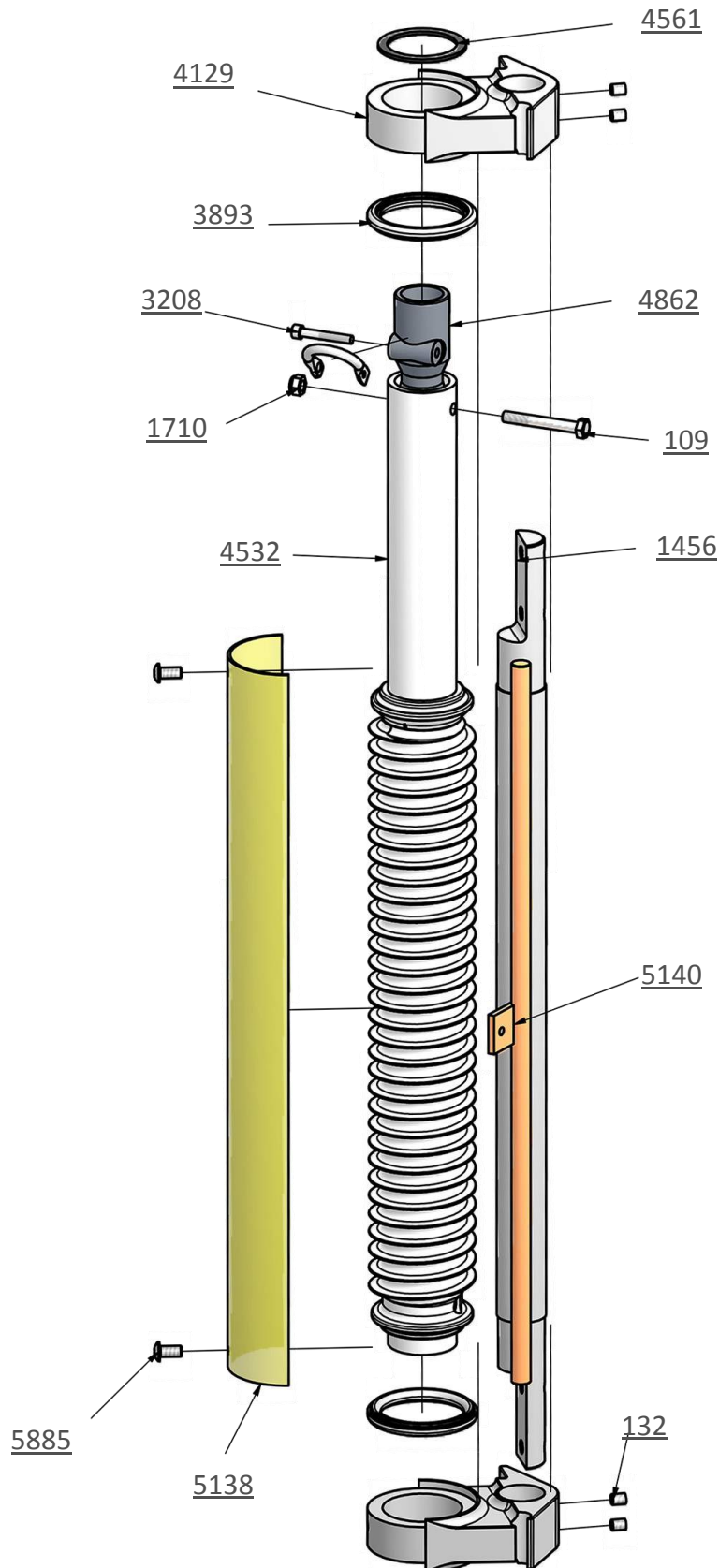




# Large Furling Drum Layout Z602E-Z702E-Z902E-Z1100E

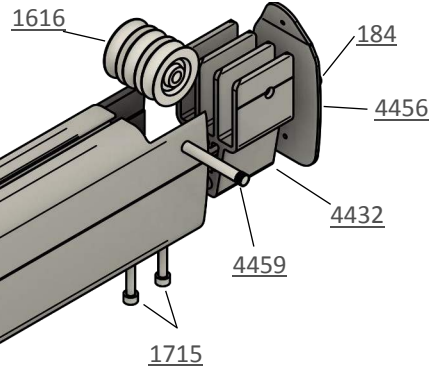


# Large Furling Drum Layout Z1252E

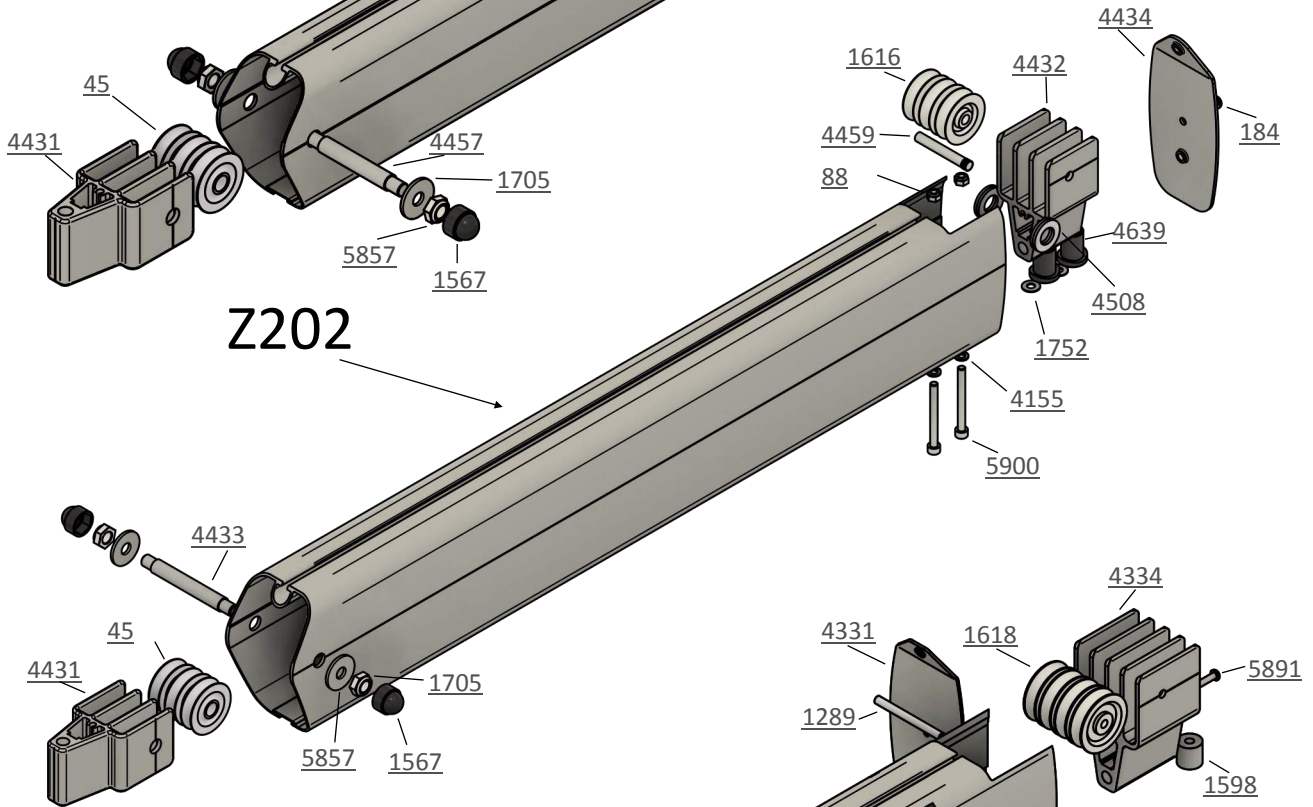


# BOOMS

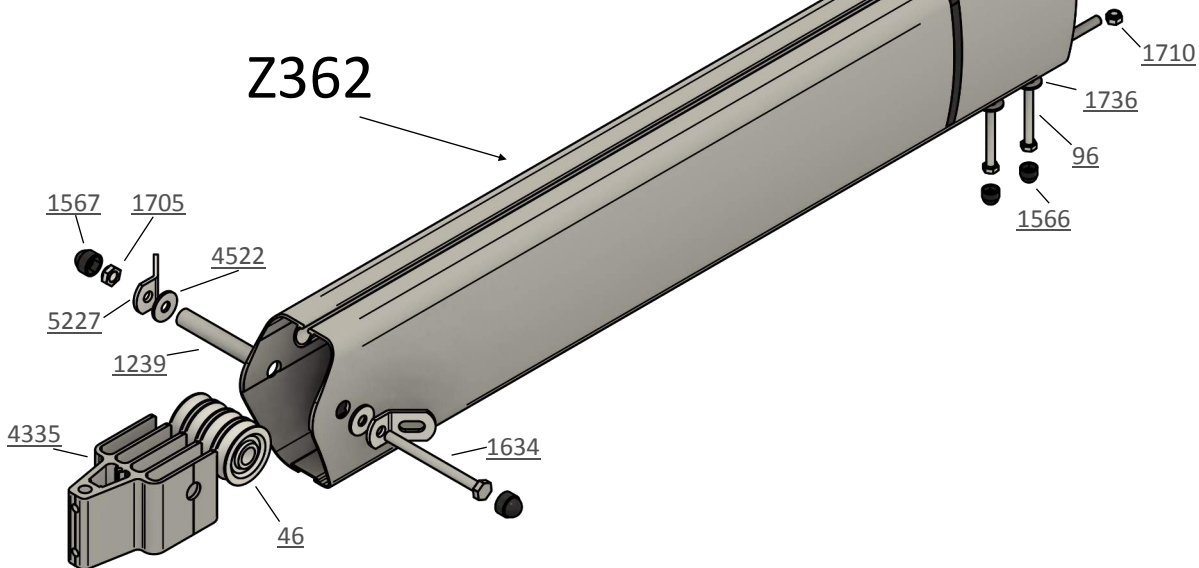
## Z162



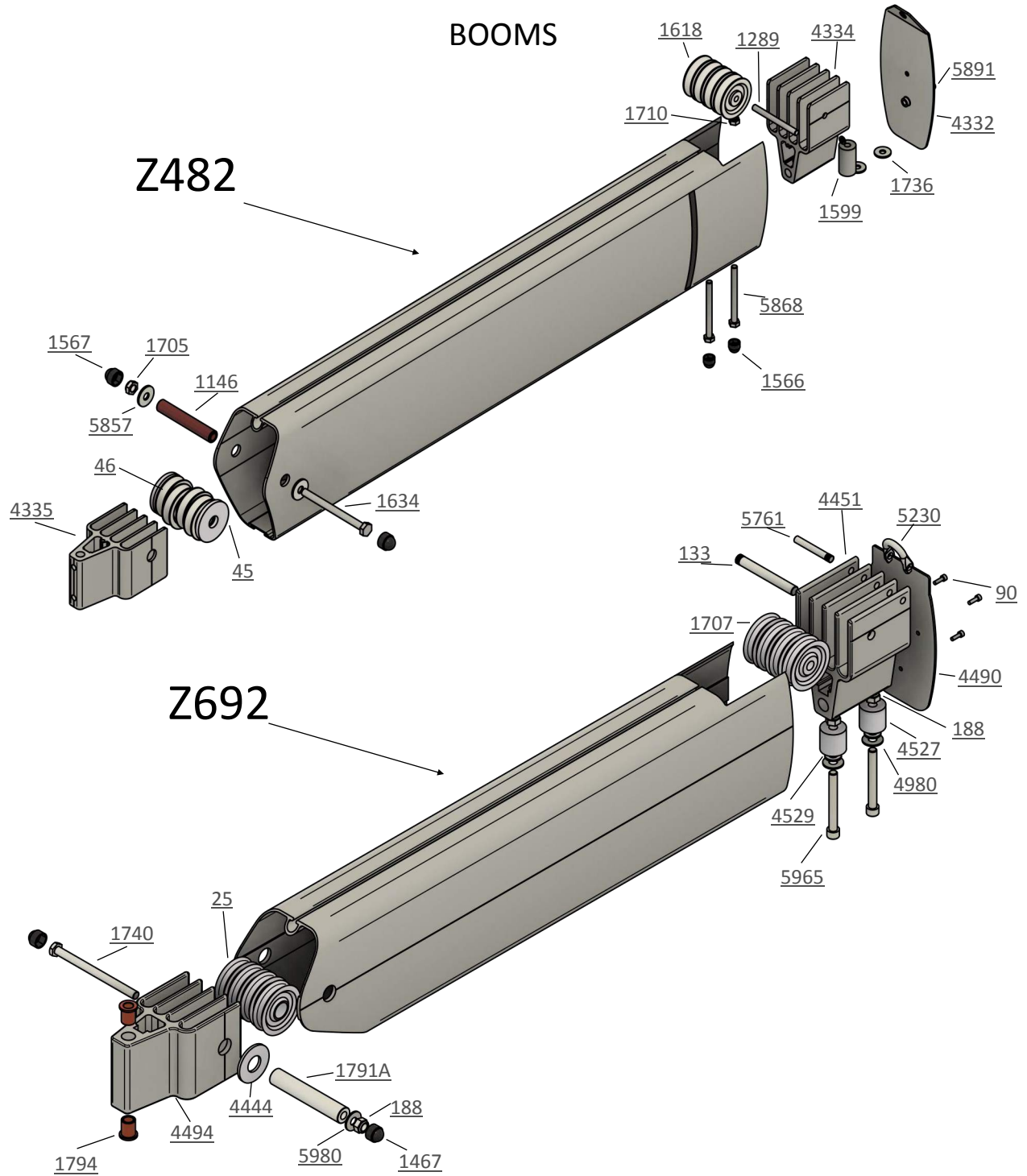
## Z202



## Z362

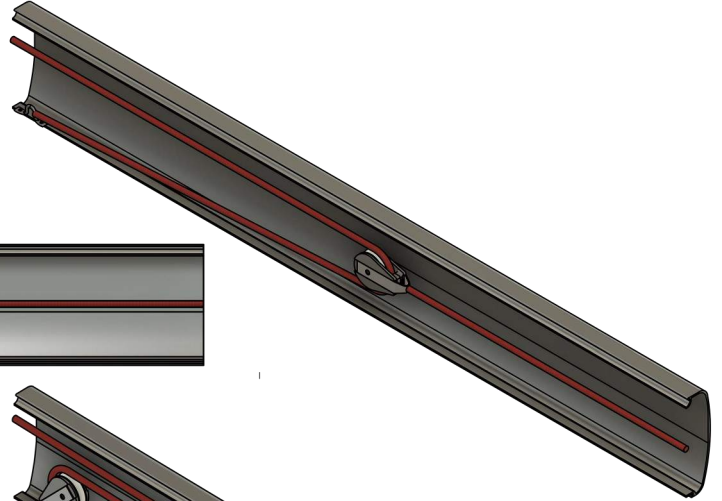
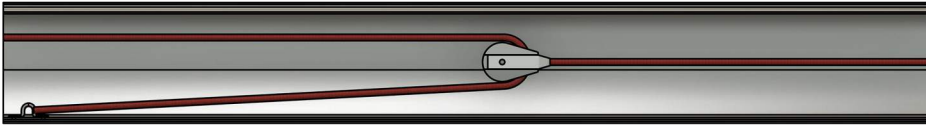


# BOOMS

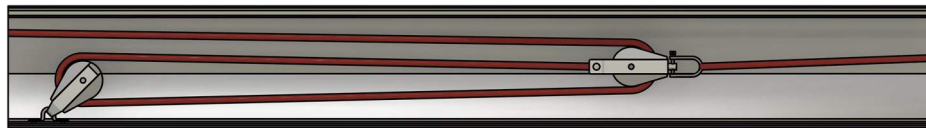


# Boom Purchase Drawings

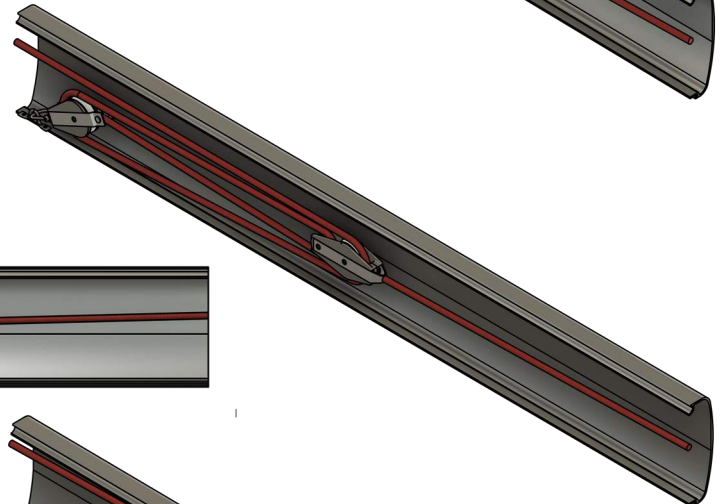
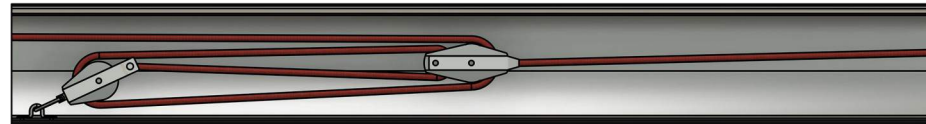
## 2:1 Boom Purchase



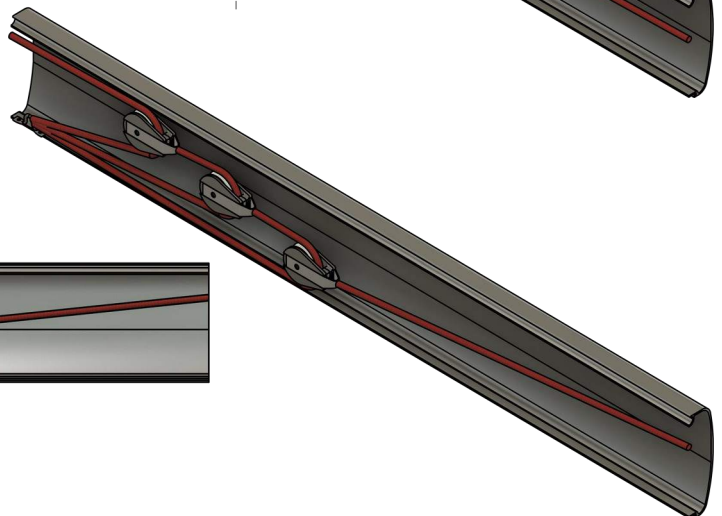
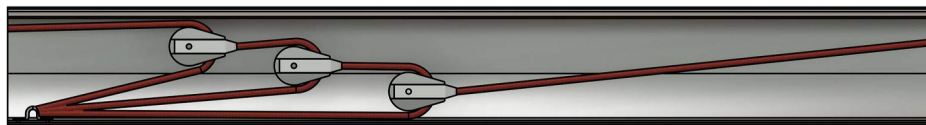
## 3:1 Boom Purchase



## 4:1 Boom Purchase



## 8:1 Boom Purchase



# Additional Tips and Links

Thank you for Browsing the 2018 US Spars Parts Catalogue. The Catalogue does not include all parts US Spars Inc or Z-Spars carries, please call or email if you don't see your part listed. Parts are constantly being updated in the catalogue so please make sure you have the latest Version. To check to see if you have the latest version look at the bottom left on any page and double check it to our website. The website will always have the latest version. Thank you again!

## Manuals

[Operational Manual](#)

[OC3LA CL Parts Manual](#)

[OC3LA RF Parts Manual](#)

[OC 41 RF Parts Manual](#)

[OC 45 IWC Parts Manual](#)

[OC 45 RF Parts Manual](#)

[Jeanneau 41 RF Parts Manual](#)

[Jeanneau 44 RF Parts Manual](#)

## Technical References

[Sail Information](#)

[Vang Installation](#)

[Removing Furling Drum](#)

[How to Change Furling line](#)

## Rig Tuning Guides

[Rig Tuning Guide](#)

[Masthead Double Spreader](#)